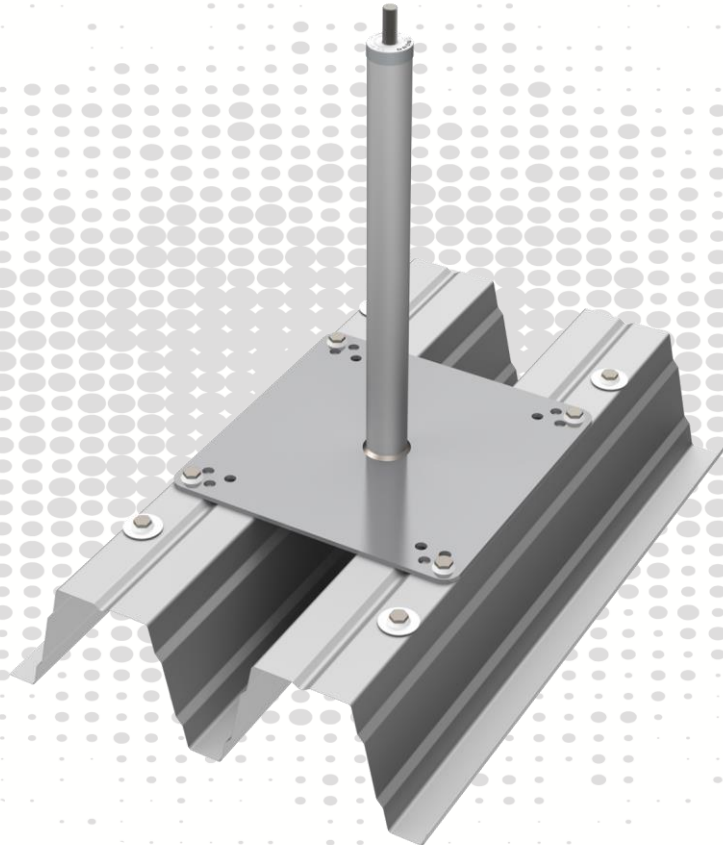




GRÜN SYS VARIANT TR E



TOOLS



Ø14 & Ø26

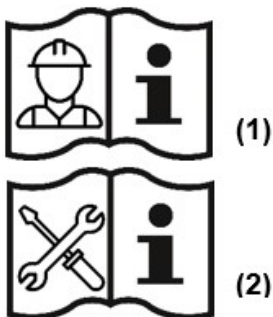


ATTENTION:

When using the anchor device, observe the GRÜN safety instructions.
When mounting the anchor device, observe the assembly instructions.

Contents

1	Utilisation variants	3
2	Technical data	4
3	Assembly specifications EN 795	5
3.1	Substrate requirements	5
3.2	Structure and assembly of the anchor device	5
4	Assembly specifications DIBt	7
4.1	Substrate requirements	7
4.2	Installation specifications and positioning on the trapezoidal plate.....	7
4.3	Arrangement of trapezoidal profile longitudinal joint connectors	8
4.4	Structure and assembly of the anchor device	8
4.5	Re-tightening the trapezoidal surface on the substructure	10
5	Documentation	11
6	Product labelling	11
7	Certification bodies	11



Abbreviations	Meaning
EAE	Einzelanschlageinrichtung (Single anchor device)
SYS	Seil - System (Lifeline system)
BEF	Befestigungsset (Fixing set)
ZUB	Zubehör (Accessories)

ATTENTION:

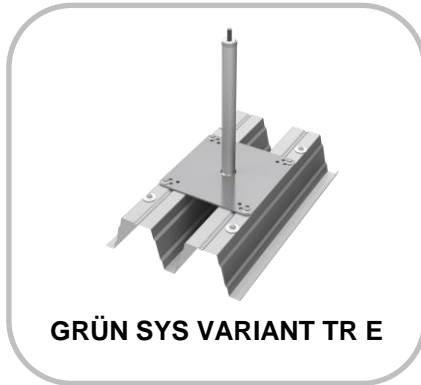
To use the anchor device, observe the GRÜN safety instructions (1).
To attach the anchor device, observe the installation instructions (2).

Only the installation instructions from GRÜN apply.

Only the fixing materials supplied by GRÜN are permitted to be used.

Do not replace individual parts.

1 Utilisation variants



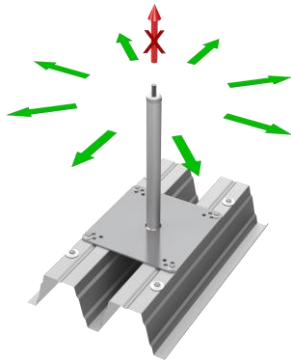
2 Technical data

Standards / approvals for the anchor device:

DIN EN	795:2012	type A/C	for 1 person
CEN/TS	16415:2017	type A/C	for 4 persons
DIBt approval	Z-14.9-725		for 2 persons

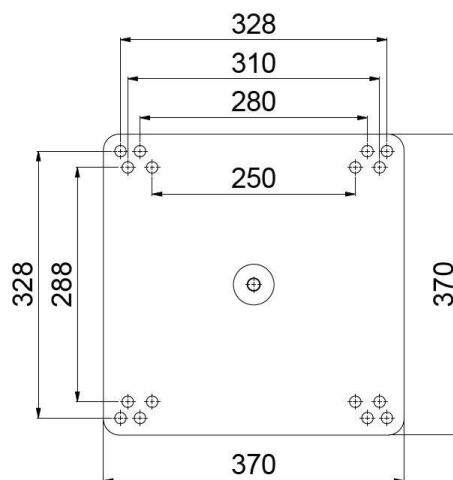
Anchor device VARIANT TR E

Load direction:

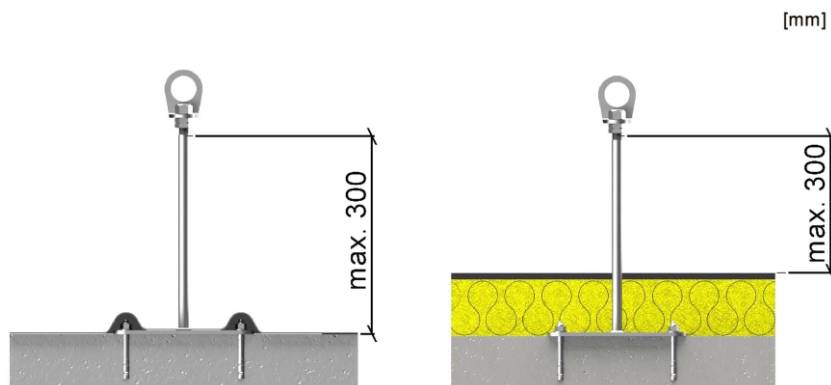


Standard construction height:	300 mm to 600 mm
Custom lengths:	700 mm to 1000 mm
Material:	A2 stainless steel
Footplate dimensions:	370 mm x 370 mm
Base plate:	Steel - powder-coated

Hole pattern:



Max. support projection:



The subfloor must be part of the static basic construction.
In case of doubt, this should be checked by a structural engineer.

Assembly specifications according to EN795

EN 795

3 Assembly specifications EN 795

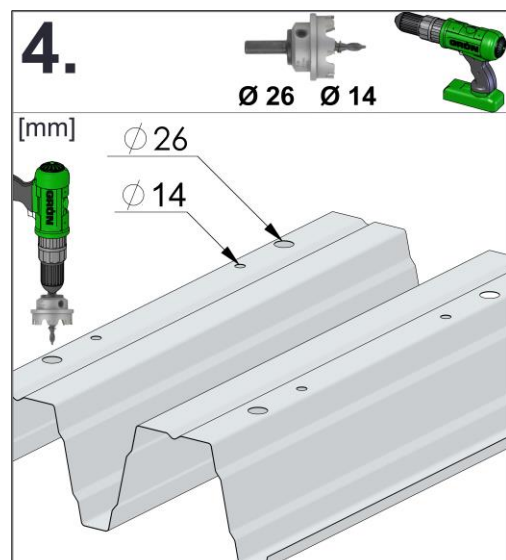
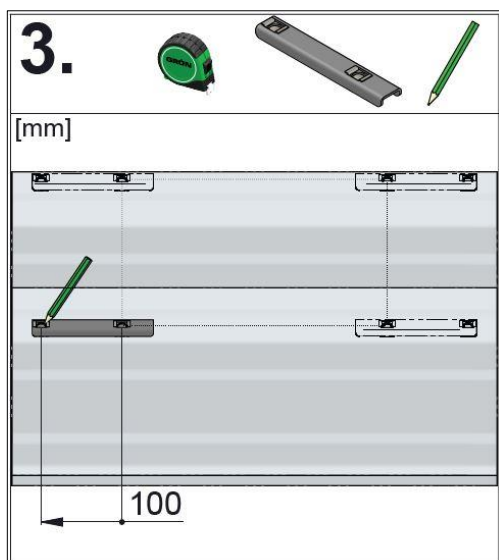
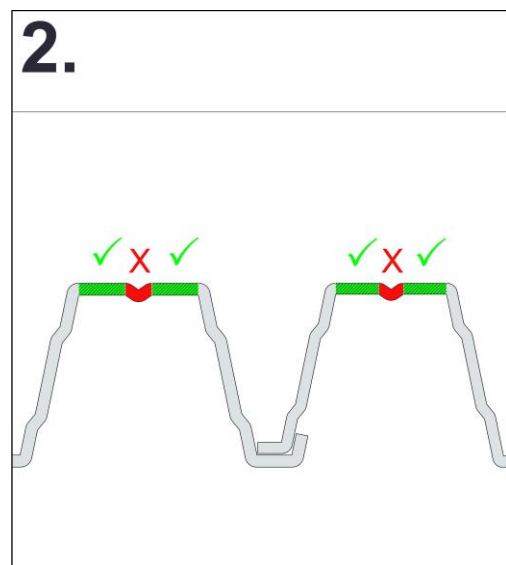
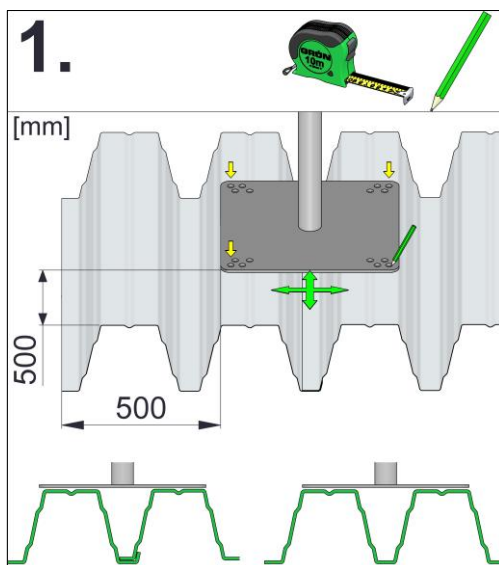
3.1 Substrate requirements

Installation must be carried out on suitable subfloors with adequate strength.

GRÜN recommendation:

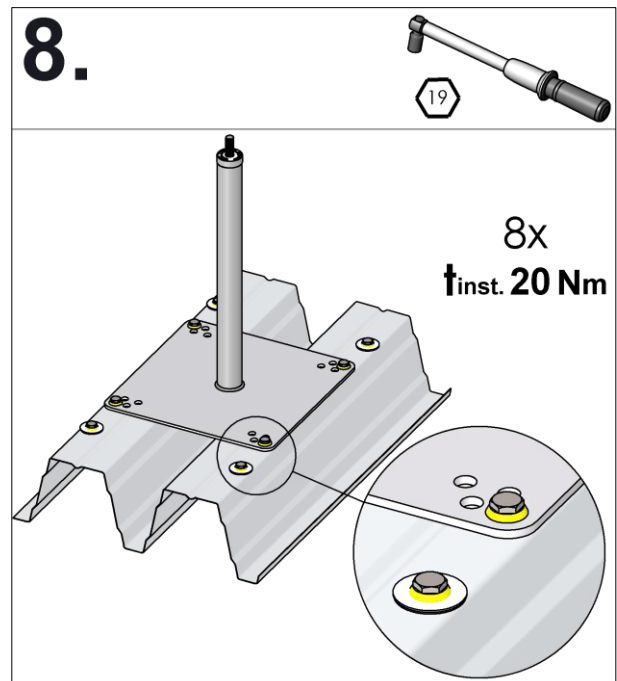
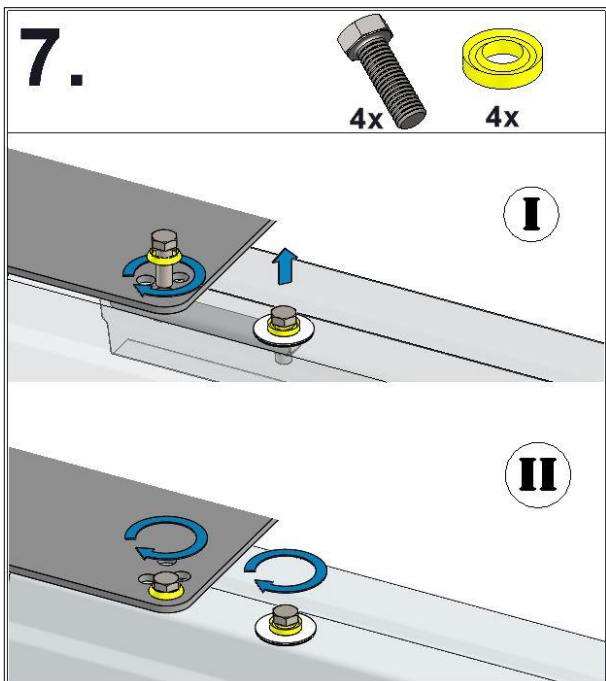
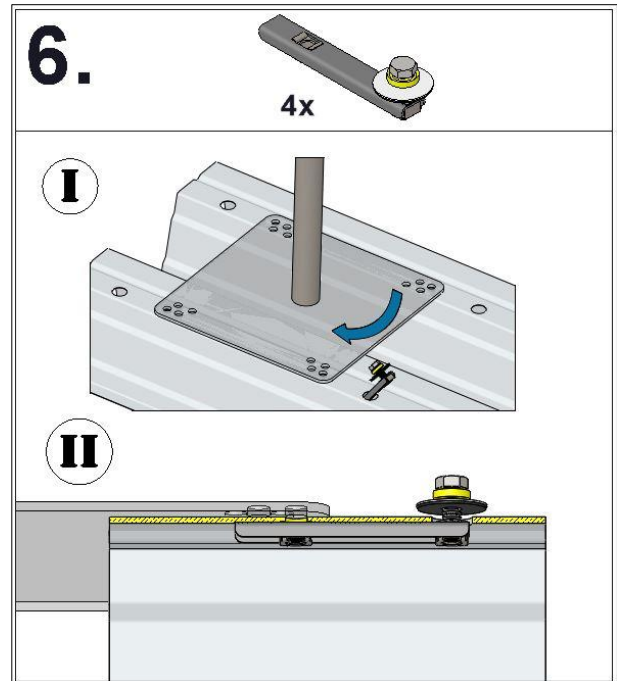
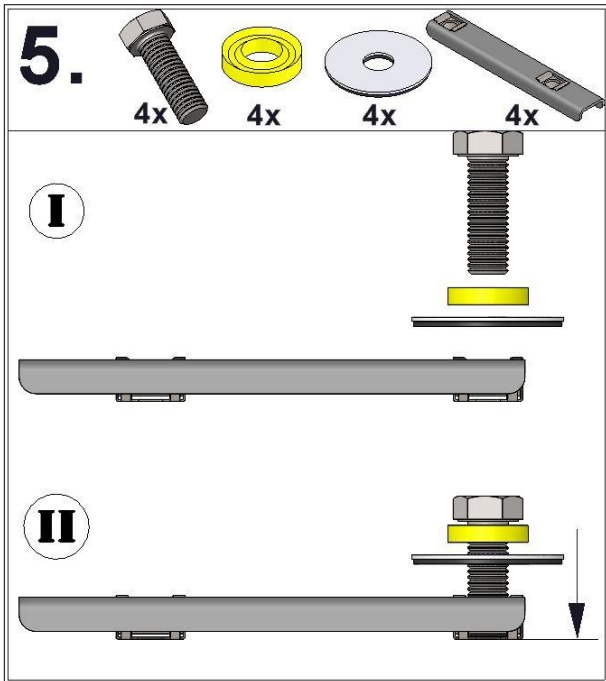
Subfloor	Dimensions
Trapezoidal steel profile	50/250 to 160/250 + 205/375
Profile position	Positive position
Panel thickness	≥ 0.75 mm


3.2 Structure and assembly of the anchor device



Assembly specifications according to EN795

EN 795



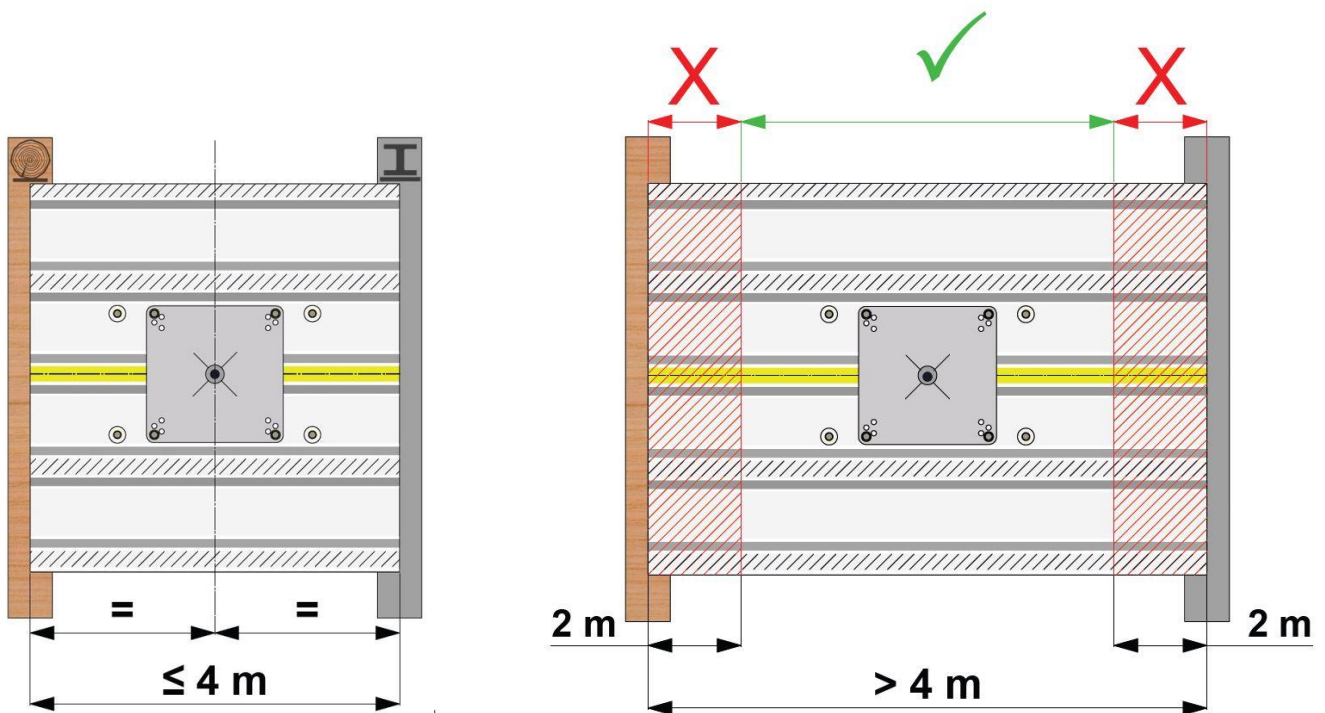
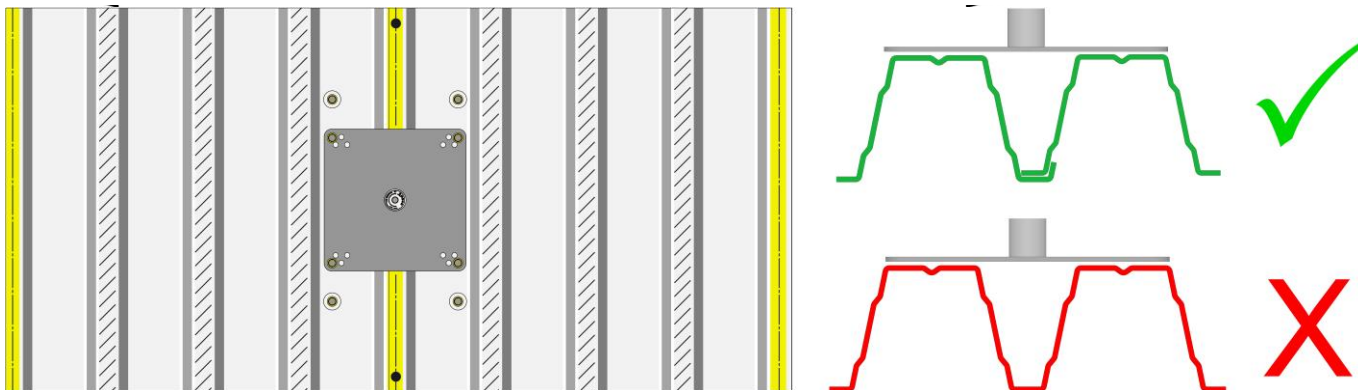
Assembly specifications according to DIBt 


4 Assembly specifications DIBt

4.1 Substrate requirements

Subfloor	Dimensions
Trapezoidal steel profile	50/250 to 160/250 + 205/375
Profile position	Positive position
Panel thickness	≥ 0.75 mm

4.2 Installation specifications and positioning on the trapezoidal plate

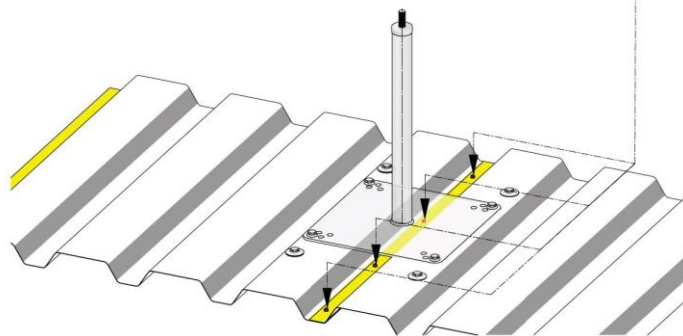


Assembly specifications according to DIBt 

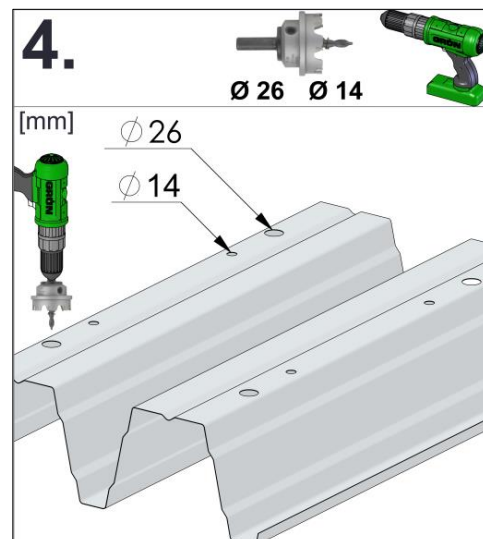
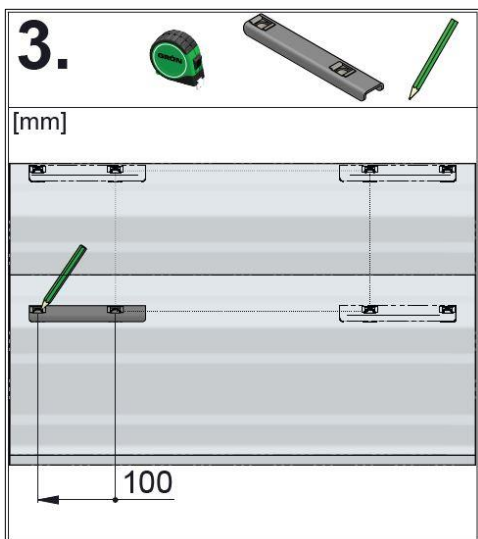
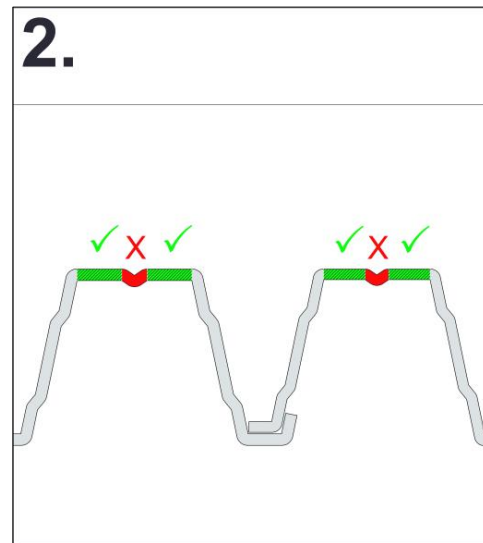
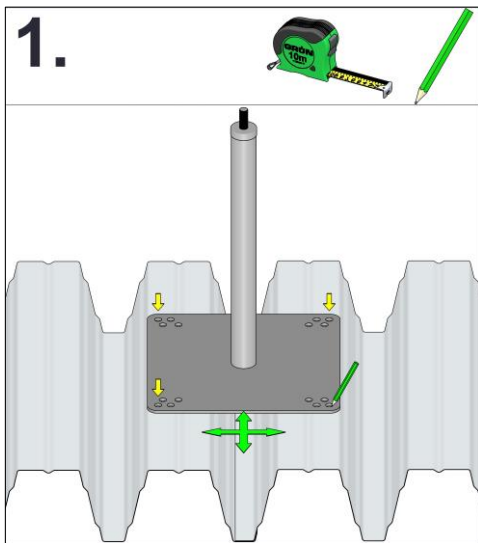
4.3 Arrangement of trapezoidal profile longitudinal joint connectors



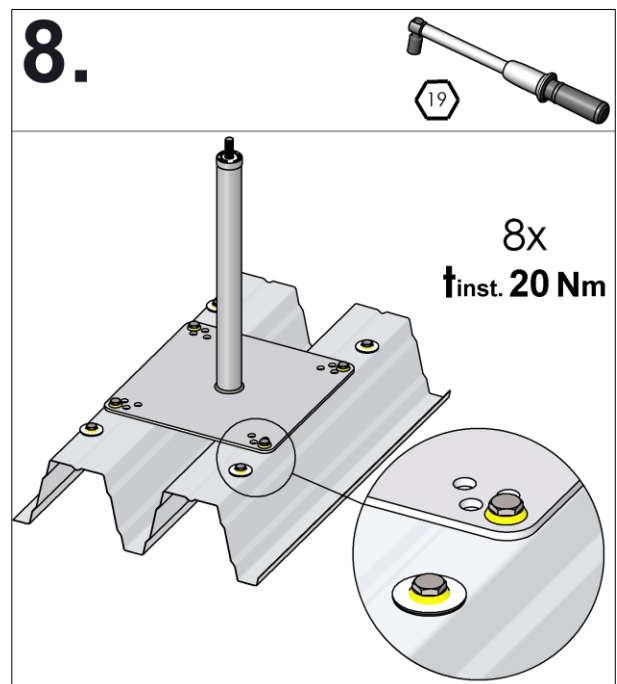
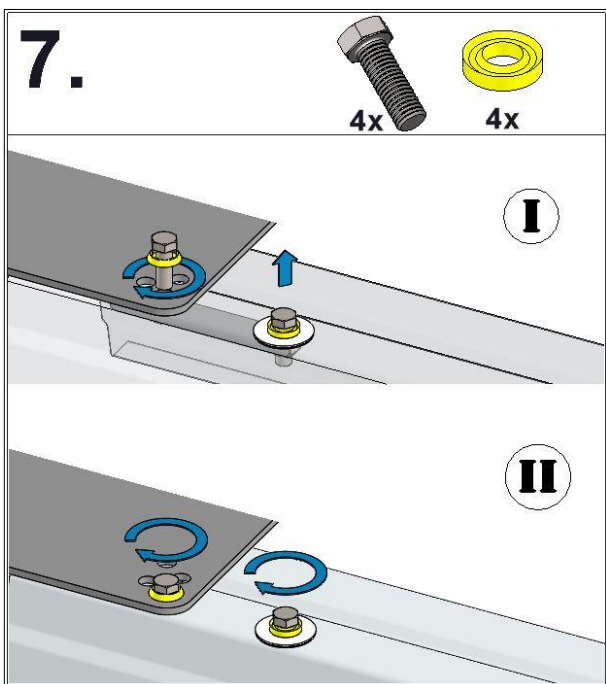
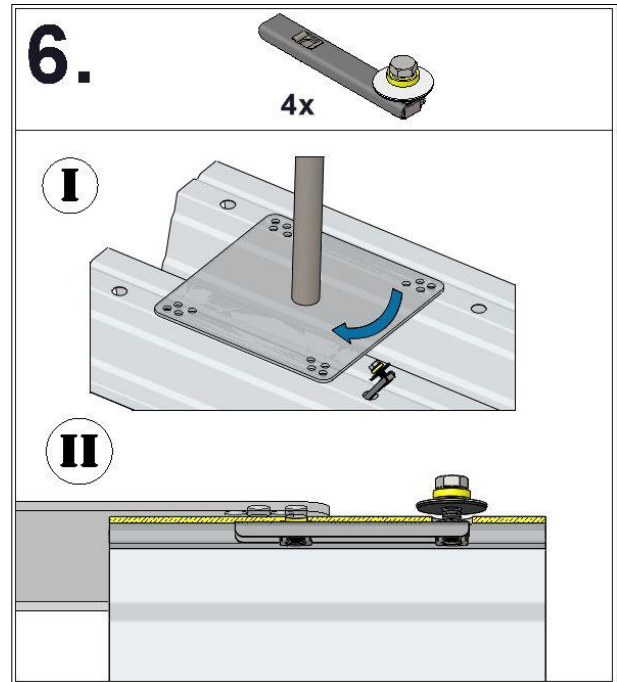
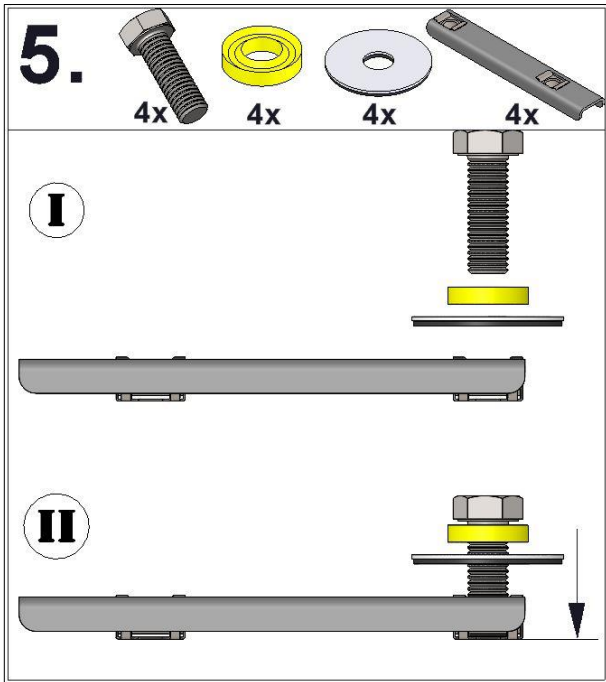
min. 4 screws with max. spacing 666mm




4.4 Structure and assembly of the anchor device



■ Assembly specifications according to DIBt



■ Assembly specifications according to DIBt 

4.5 Re-tightening the trapezoidal surface on the substructure



Ø 16 mm
EPDM seal

$N_{R,K} \geq 3,1 \text{ kN}$

z.B.
- EJOT JT2-6-5,5xL F12 V16 für 2,5 - 5 mm
- EJOT JT2-12-5,5xL F12 V16 für 4 - 12 mm
- EJOT JT2-18-5,5xL F12 V16 für 4 - 16 mm

Ø 14 mm
Ø 4,5 mm

$N_{R,K} \geq 3,1 \text{ kN}$

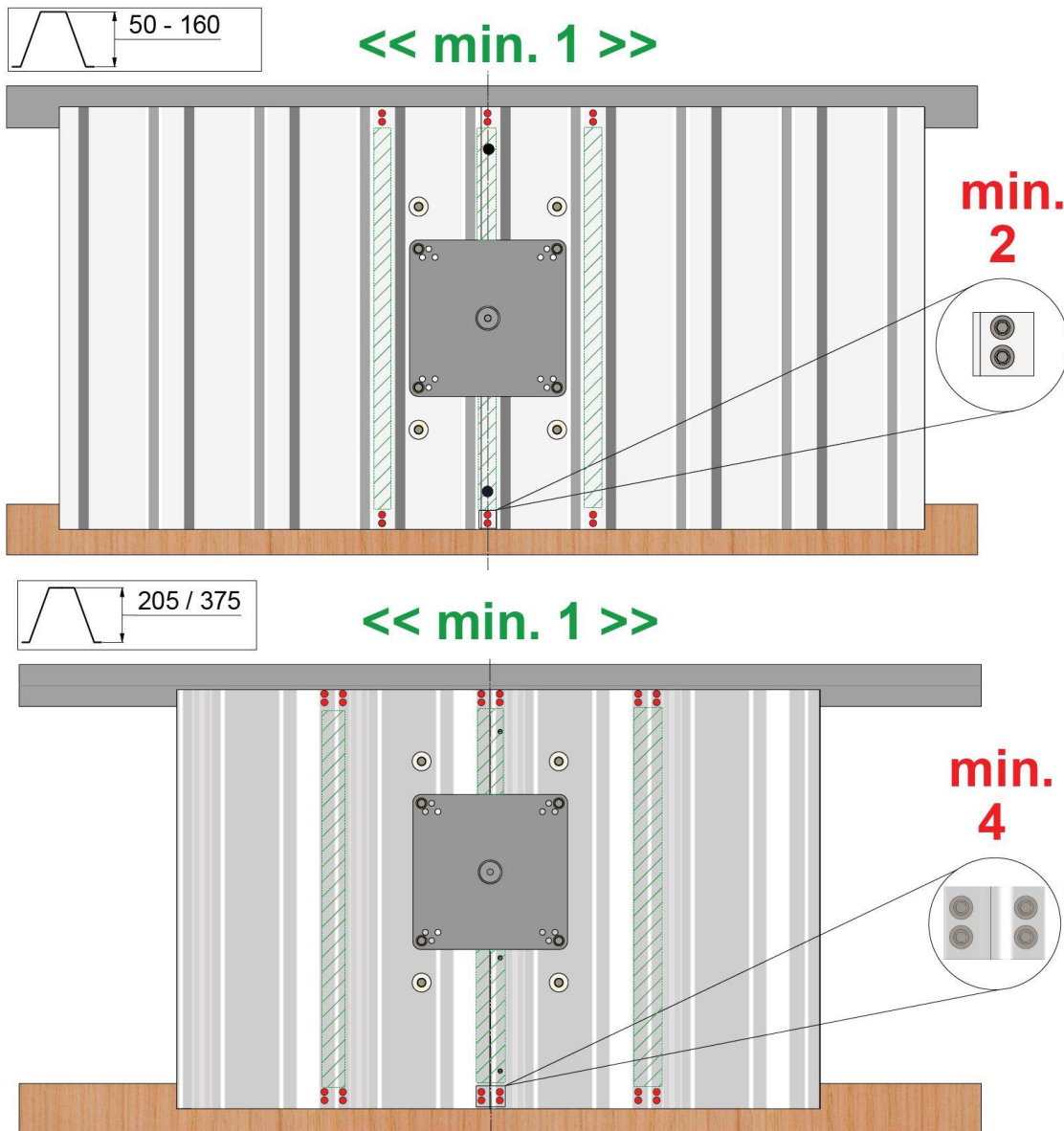
z.B.
Powder-actuated fastener HSBR-14



Ø 16 mm
EPDM seal

$N_{R,K} \geq 3,1 \text{ kN}$

z.B.
- EJOT
JT3-Plus-6,8xL E16



5 Documentation

The installer is obliged to document the installation, including photos of details that will no longer be visible.

Installation documentation and maintenance documentation form available at:
[\(https://gruen-gmbh.de/de/absturzschutz/download/\)](https://gruen-gmbh.de/de/absturzschutz/download/)



Digital documentation with the GRÜN app possible at:
<https://project.gruen-gmbh.de>



6 Product labelling

Type plate



Example illustration of labelling

- ① Manufacturer
- ② Product name
- ③ Article number
- ④ Max. users
- ⑤ Standard with year of issue
- ⑥ General building inspection

Swivel eye (anchorage points)



Example illustration of labelling

- ⑦ DEKRA seal
- ⑧ Mark of conformity
- ⑨ Observe installation instructions & safety instructions
- ⑩ Serial number, year of manufacture
- ⑪ In the event of a fall, plastic deformation of the product occurs

7 Certification bodies

Deutsches Institut für Bautechnik (DIBt)
 Kolonnenstr. 30 B
 10829 Berlin
 Germany

abZ No. Z-14.9-725



DEKRA Testing and Certification GmbH
 Persönliche Schutzausrüstung / Personal Protective Equipment
 Dinnendahlstr. 9
 44809 Bochum
 Germany

No.: 0158



MA_VARIANT_TR_E_en_24_12

GRÜN

Spezialmaschinenfabrik für Dach, Bau und Straße
Siegener Straße 81-83
57234 Wilnsdorf / GERMANY

Tel. +49 (0) 271 - 39 88-0
Fax +49 (0) 271 - 39 88-159
E-Mail info@gruen-gmbh.de
www.gruen-gmbh.de



Urheberrechtshinweis

© GRÜN GmbH 2024. Alle Rechte vorbehalten. Diese urheberrechtlich geschützten Unterlagen dürfen - auch auszugsweise - nur mit vorheriger Genehmigung der GRÜN GmbH vervielfältigt, abgeändert oder in irgendeiner Form oder irgendeinem Medium weitergegeben oder in einer Datenbank oder einem anderen Datenspeichersystem gespeichert werden. Eine Verwendung ohne vorherige Genehmigung gilt als Verstoß gegen die jeweiligen Copyright-Bestimmungen.