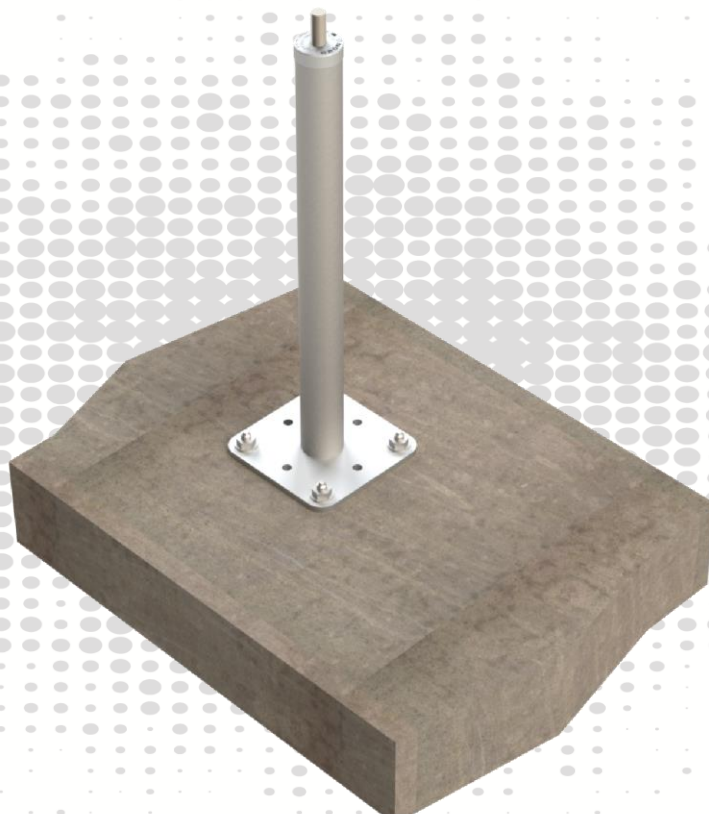




GRÜN SYS VARIANT BD / BS



TOOLS

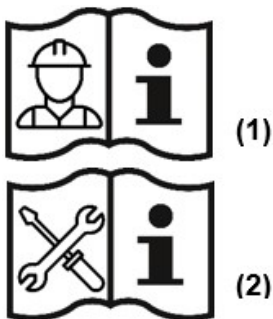


ATTENTION:

When using the anchor device, observe the GRÜN safety instructions.
When mounting the anchor device, observe the assembly instructions.

Inhaltsverzeichnis

1	Utilisation variants	3
2	Technical data	4
3	Assembly specifications EN 795	5
3.1	Substrate requirements	5
3.2	Structure and assembly of the anchor device	5
4	Assembly specifications ETA und DIBt	6
4.1	Substrate requirements	6
4.2	Structure and assembly of the anchor device	6
5	Documentation	7
6	Product labelling	7
7	Certification bodies	7



Abbreviations	Meaning
EAE	Einzelanschlageinrichtung (Single anchor device)
SYS	Seil - System (Lifeline system)
BEF	Befestigungsset (Fixing set)
ZUB	Zubehör (Accessories)

ATTENTION:

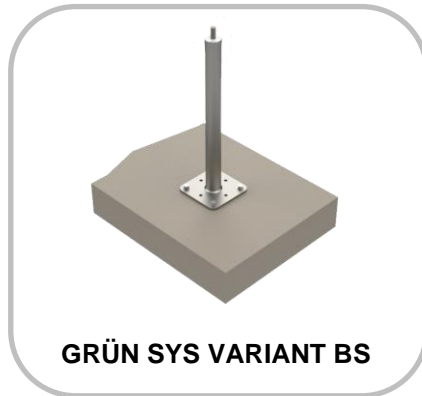
To use the anchor device, observe the GRÜN safety instructions **(1)**.
To attach the anchor device, observe the installation instructions **(2)**.

Only the installation instructions from GRÜN apply.

Only the fixing materials supplied by GRÜN are permitted to be used.

Do not replace individual parts.

1 Utilisation variants



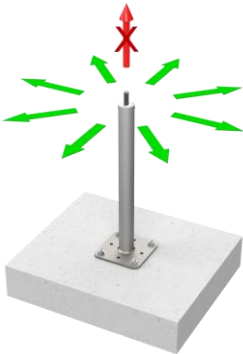
2 Technical data

Standards / approvals for the anchor device:

DIN EN	795:2012	type A/C	für 1 Person
CEN/TS	16415:2017	type A/C	for 4 persons
DIBt Zulassung	Z-14.9-725		for 4 persons
ETA	ETA-24/0041		for 4 persons

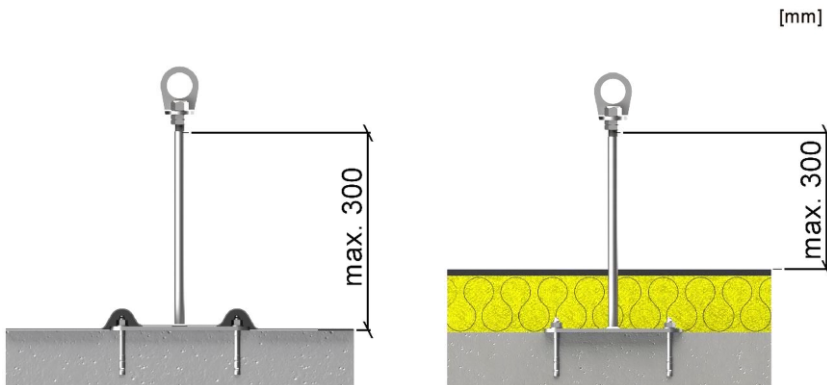
Anchor device VARIANT BD

Load direction:



Standard height:	300mm bis 600mm
Special lengths:	200, 700mm bis 1000mm
Material:	Edelstahl A2
Foot plate dimensions:	160mm x 160mm
Hole pattern:	120mm x 120mm - ø14mm

Max. support projection:



The substrate must be part of the basic static structure.
In case of doubt, this must be checked by a structural engineer.

Assembly specifications according to EN795

EN 795

3 Assembly specifications EN 795

3.1 Substrate requirements

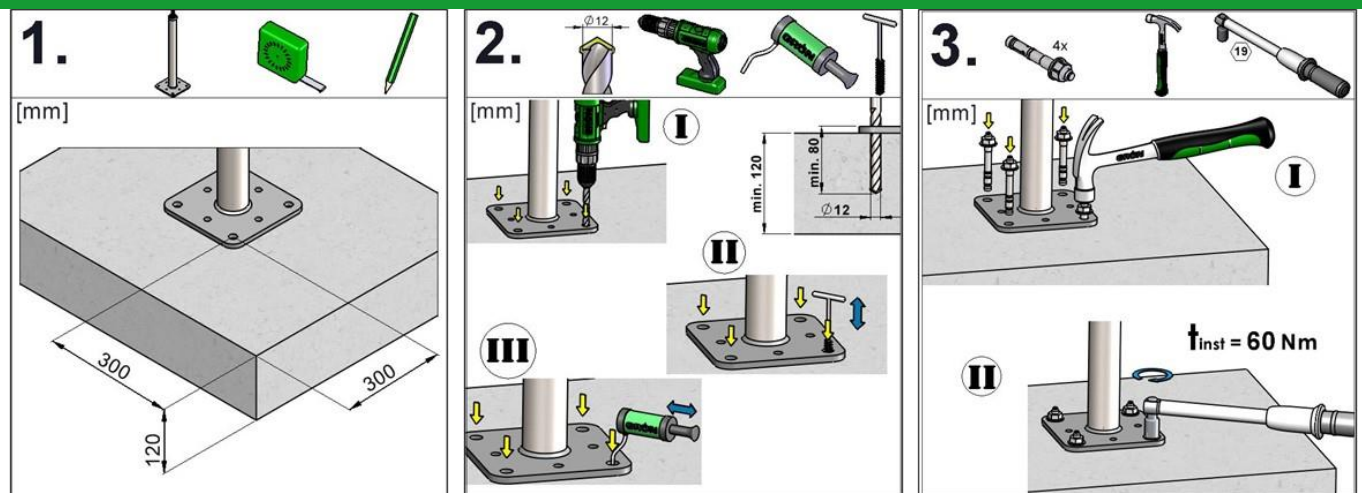
Installation must be carried out on suitable subfloors with adequate strength.

GRÜN recommendation:

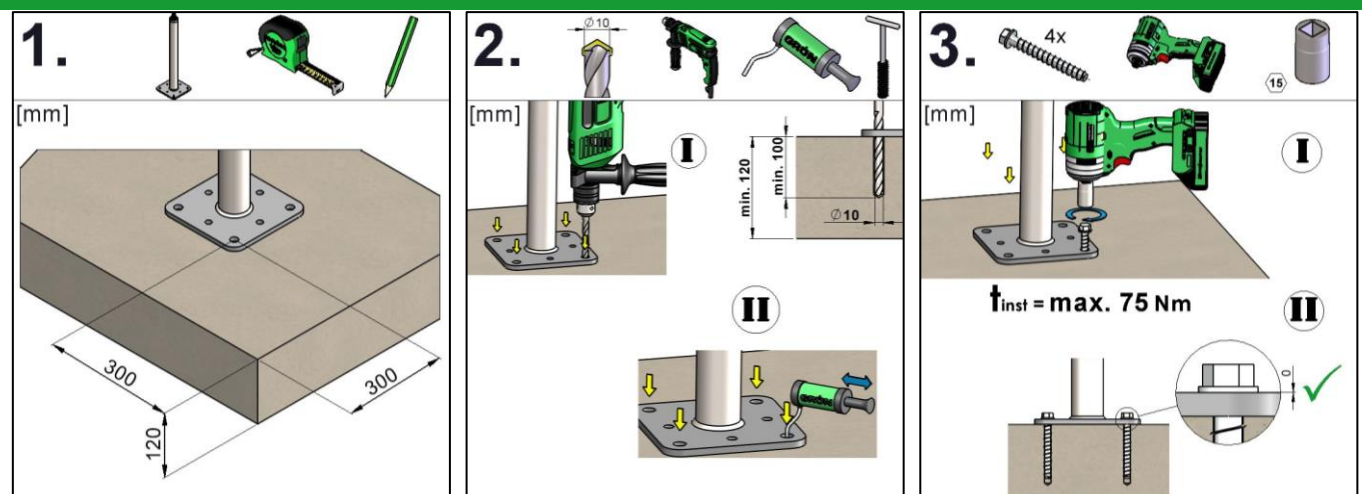
Subfloor	Dimensions	
Concrete, non-cracked and cracked (min. C20/25)	Minimum component thickness t_{min} Edge distance c_{min}	120 mm 300 mm

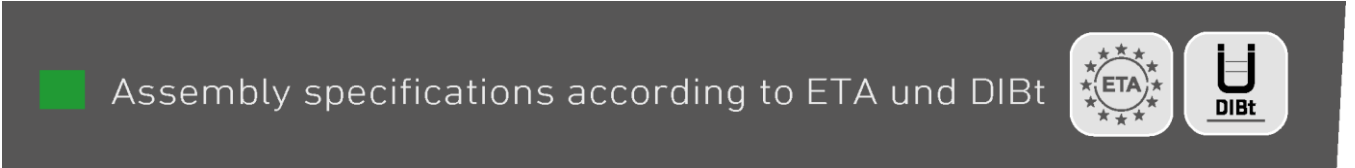
3.2 Structure and assembly of the anchor device

GRÜN SYS VARIANT BD



GRÜN SYS VARIANT BS



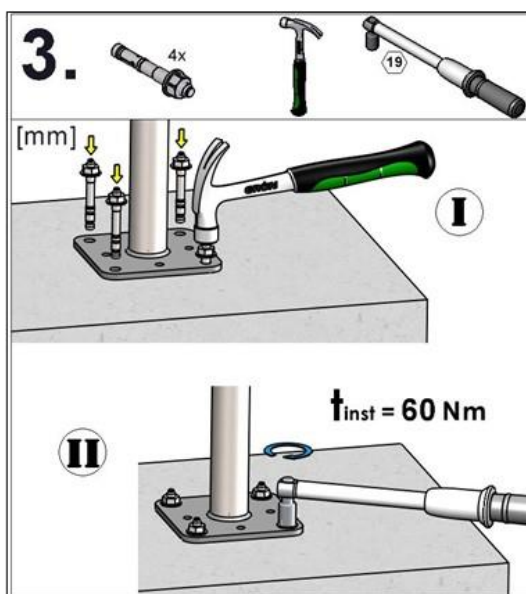
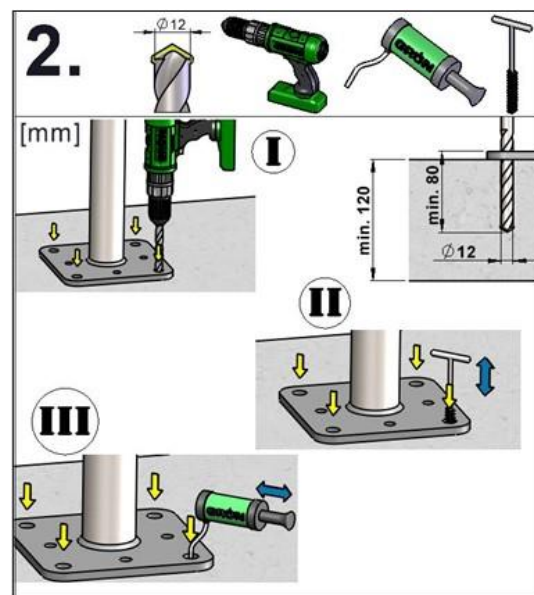
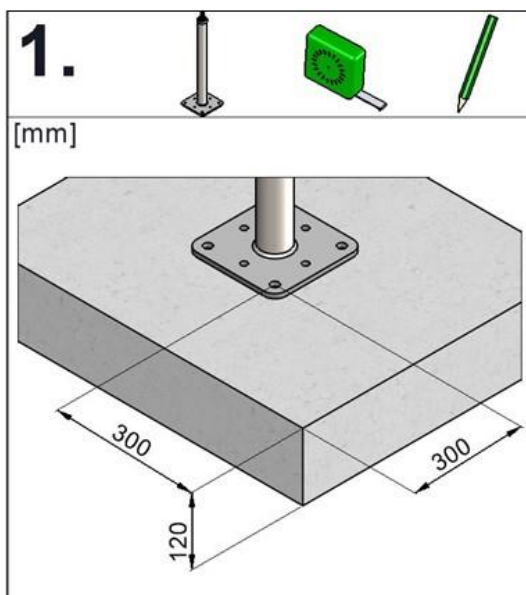


4 Assembly specifications ETA und DIBt

4.1 Substrate requirements

Subfloor	Dimensions	
Concrete, cracked and non-cracked (min. C20/25)	Minimum component thickness t_{min} Edge distance c_{min}	120 mm 300 mm

4.2 Structure and assembly of the anchor device



5 Documentation

The installer is obliged to document the installation, including photos of details that will no longer be visible.

Installation documentation and maintenance documentation form available at:
[\(https://gruen-gmbh.de/de/absturzschutz/downloads/\)](https://gruen-gmbh.de/de/absturzschutz/downloads/)



Digital documentation with the GRÜN app possible at:
<https://project.gruen-gmbh.de>



6 Product labelling

Type plate



Example illustration of labelling

- ① Manufacturer
- ② Product name
- ③ Article number
- ④ Max. users
- ⑤ Standard with year of issue
- ⑥ General building inspection

Swivel eye (anchorage points)



Example illustration of labelling

- ⑦ DEKRA seal
- ⑧ Mark of conformity
- ⑨ Observe installation instructions & safety instructions
- ⑩ Serial number, year of manufacture
- ⑪ In the event of a fall, plastic deformation of the product occurs

7 Certification bodies

Deutsches Institut für Bautechnik (DIBt)
 Kolonnenstr. 30 B
 10829 Berlin
 Germany

abZ No. Z-14.9-725



DEKRA Testing and Certification GmbH
 Persönliche Schutzausrüstung / Personal Protective Equipment
 Dinnendahlstr. 9
 44809 Bochum
 Germany

No.: 0158



MA_VARIANT_BD_BS_en_24_08

GRÜN

Spezialmaschinenfabrik für Dach, Bau und Straße
Siegener Straße 81-83
57234 Wilnsdorf / GERMANY

Tel. +49 (0) 271 - 39 88-0
Fax +49 (0) 271 - 39 88-159
E-Mail info@gruen-gmbh.de
www.gruen-gmbh.de



Urheberrechtshinweis

© GRÜN GmbH 2024. Alle Rechte vorbehalten. Diese urheberrechtlich geschützten Unterlagen dürfen - auch auszugsweise - nur mit vorheriger Genehmigung der GRÜN GmbH vervielfältigt, abgeändert oder in irgendeiner Form oder irgendeinem Medium weitergegeben oder in einer Datenbank oder einem anderen Datenspeichersystem gespeichert werden. Eine Verwendung ohne vorherige Genehmigung gilt als Verstoß gegen die jeweiligen Copyright-Bestimmungen.