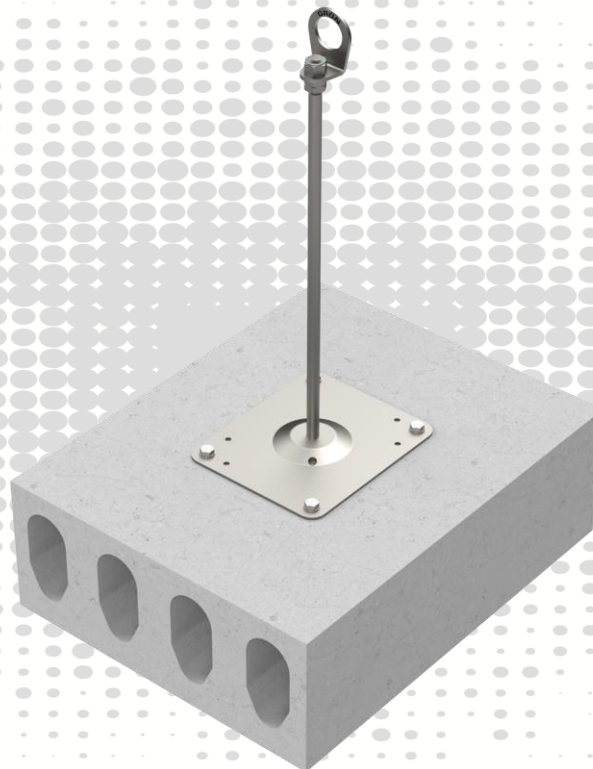




## GRÜN EAE SAFEX MULTI HD



### TOOLS

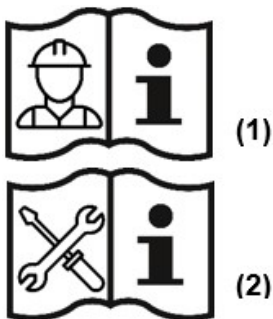


#### ATTENTION:

When using the anchor device, observe the GRÜN safety instructions.  
When mounting the anchor device, observe the assembly instructions.

## Contents

1	Utilisation variants .....	3
2	Technical data .....	4
3	Assembly specifications EN 795 .....	5
3.1	Substrate requirements .....	5
3.2	Structure and assembly of the anchor device .....	5
4	Assembly specifications ETA .....	6
4.1	Substrate requirements .....	6
4.2	Structure and assembly of the anchor device .....	6
5	Documentation .....	7
6	Product labelling .....	7
7	Certification body .....	7



Abbreviations	Meaning
EAE	Einzelanschlageinrichtung (Single anchor device)
SYS	Seil - System (Lifeline system)
BEF	Befestigungsset (Fixing set)
ZUB	Zubehör (Accessories)

### ATTENTION:

To use the anchor device, observe the GRÜN safety instructions **(1)**.  
To attach the anchor device, observe the installation instructions **(2)**.

**Only the installation instructions from GRÜN apply.**

**Only the fixing materials supplied by GRÜN are permitted to be used.**

**Do not replace individual parts.**

1 Utilisation variants



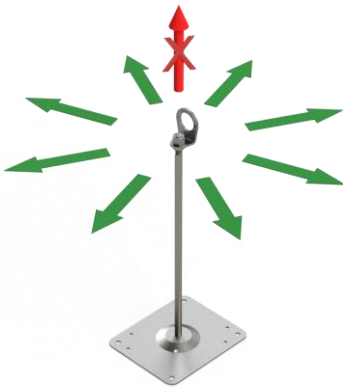
## 2 Technical data

### Standards / approvals for the anchor device:

DIN EN	795:2012	type A/C	for 1 person
CEN/TS	16415:2017	type A/C	for 4 persons
ETA	ETA-24/0041		for 4 persons

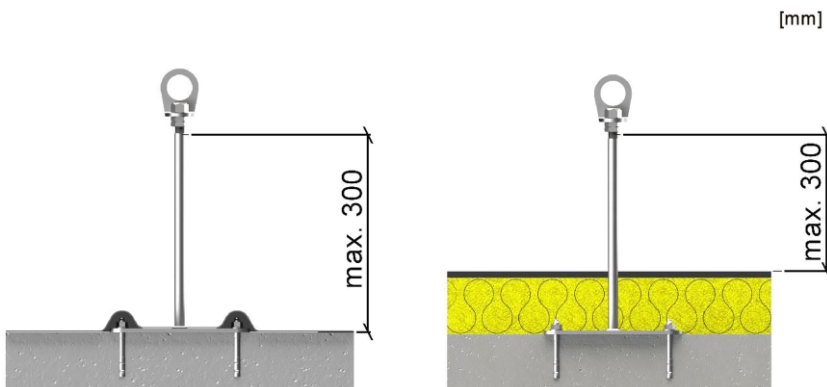
### Anchor device SAFEX MULTI HD

Load direction:



Standard construction height:	300 mm to 600 mm
Custom lengths:	700 mm to 1000 mm
Material:	A2 stainless steel
Footplate dimensions:	210 mm x 250 mm
Hole pattern:	170 mm x 210 mm - $\varnothing$ 11 mm

Max. support projection:



The subfloor must be part of the static basic construction.  
In case of doubt, this should be checked by a structural engineer.

■ Assembly specifications according to EN795

EN 795

### 3 Assembly specifications EN 795

#### 3.1 Substrate requirements

Installation must be carried out on suitable subfloors with adequate strength.

GRÜN recommendation:

Subfloor	Dimensions	
Prestressed concrete hollow plates (min. C45/55)	Edge distance c <sub>min</sub> Upper plate level h <sub>fmin</sub>	<b>200 mm</b> <b>30 mm</b>

#### 3.2 Structure and assembly of the anchor device

**1.** [mm]


**2.** [mm]

**3.** [mm]

**4.** [mm]

**5.** [mm]

docu

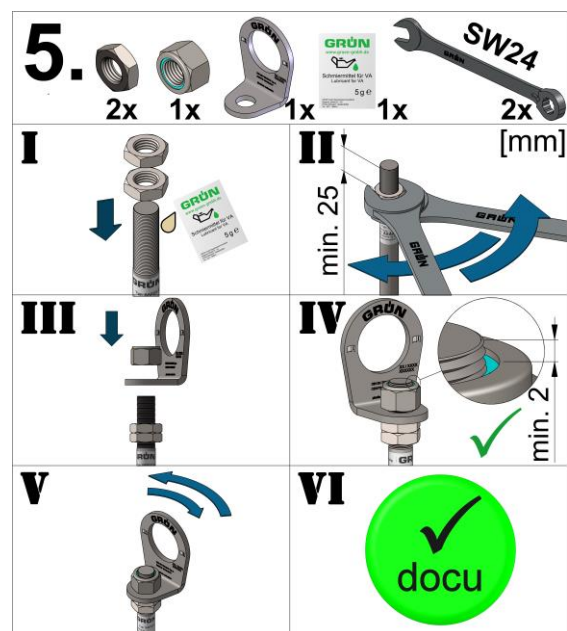
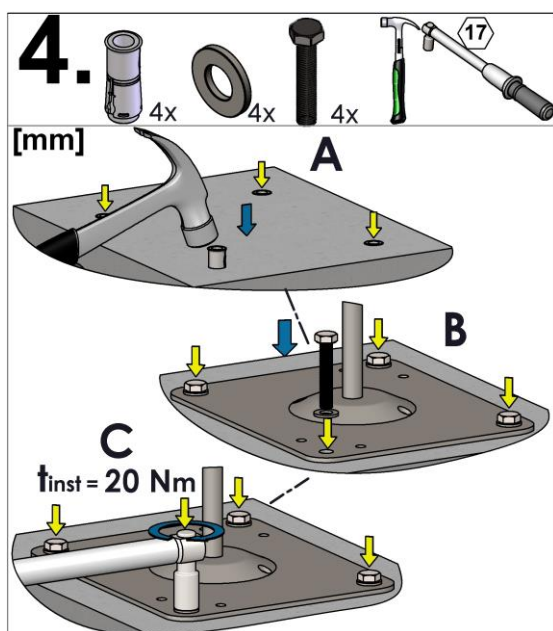
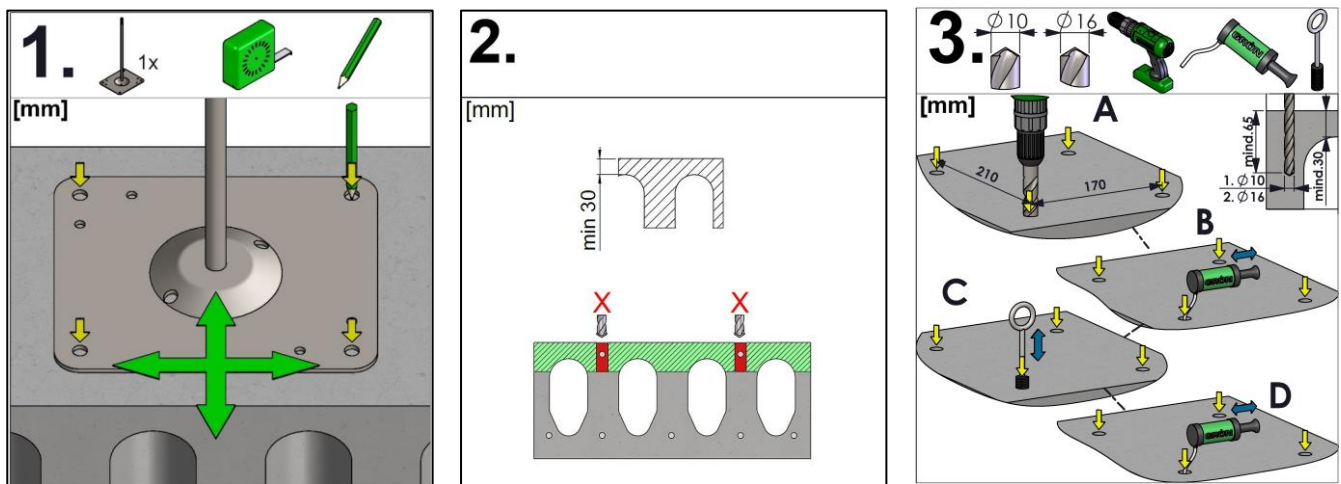
Assembly specifications according to ETA 

## 4 Assembly specifications ETA

### 4.1 Substrate requirements

Subfloor	Dimensions	
Prestressed concrete hollow plates (min. C45/55)	Edge distance $c_{min}$ Upper plate level $h_{fmin}$	200 mm 30 mm

### 4.2 Structure and assembly of the anchor device



## 5 Documentation

The installer is obliged to document the installation, including photos of details that will no longer be visible.

Installation documentation and maintenance documentation form available at:  
[\(https://gruen-gmbh.de/de/absturzschutz/downloads/\)](https://gruen-gmbh.de/de/absturzschutz/downloads/)



Digital documentation with the GRÜN app possible at:  
<https://project.gruen-gmbh.de>



## 6 Product labelling

Type plate



Example illustration of labelling

- ① Manufacturer
- ② Product name
- ③ Article number
- ④ Max. users
- ⑤ Standard with year of issue
- ⑥ General building inspection

Swivel eye (anchorage points)



Example illustration of labelling

- ⑦ DEKRA seal
- ⑧ Mark of conformity
- ⑨ Observe installation instructions & safety instructions
- ⑩ Serial number, year of manufacture
- ⑪ In the event of a fall, plastic deformation of the product occurs

## 7 Certification body

DEKRA Testing and Certification GmbH  
 Persönliche Schutzausrüstung / Personal Protective Equipment  
 Dinnendahlstr. 9  
 44809 Bochum  
 Germany

No.:  0158



MA\_SAFEX\_MULTI\_HD\_en\_24\_05

**GRÜN**

Spezialmaschinenfabrik für Dach, Bau und Straße  
Siegener Straße 81-83  
57234 Wilnsdorf / GERMANY

Tel. +49 (0) 271 - 39 88-0  
Fax +49 (0) 271 - 39 88-159  
E-Mail [info@gruen-gmbh.de](mailto:info@gruen-gmbh.de)  
[www.gruen-gmbh.de](http://www.gruen-gmbh.de)



**Urheberrechtshinweis**

© GRÜN GmbH 2024. Alle Rechte vorbehalten. Diese urheberrechtlich geschützten Unterlagen dürfen - auch auszugsweise - nur mit vorheriger Genehmigung der GRÜN GmbH vervielfältigt, abgeändert oder in irgendeiner Form oder irgendeinem Medium weitergegeben oder in einer Datenbank oder einem anderen Datenspeichersystem gespeichert werden. Eine Verwendung ohne vorherige Genehmigung gilt als Verstoß gegen die jeweiligen Copyright-Bestimmungen.