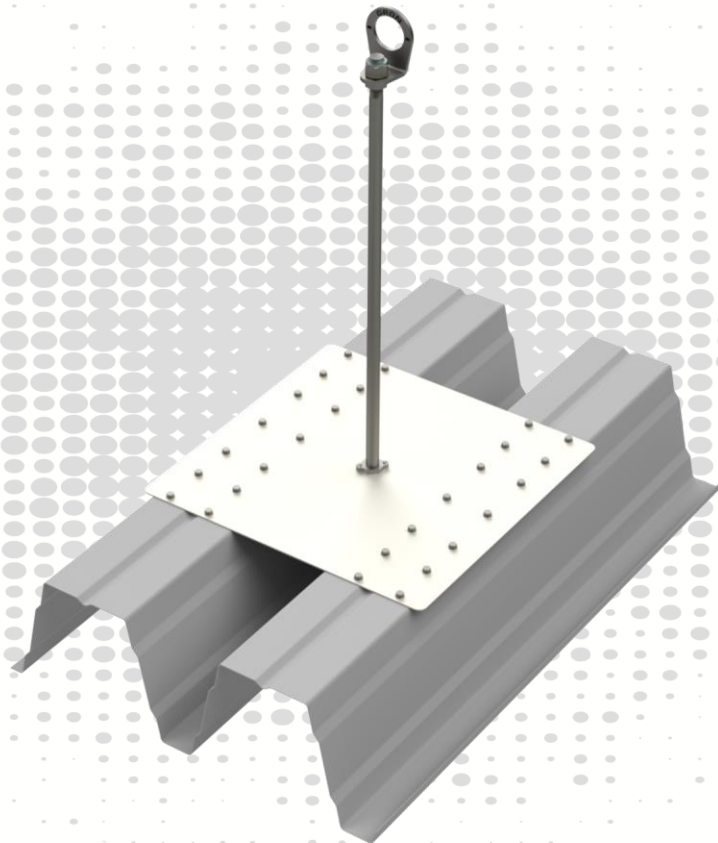




## GRÜN EAE SAFEX TR



### TOOLS



SW8



SW24



2x SW24

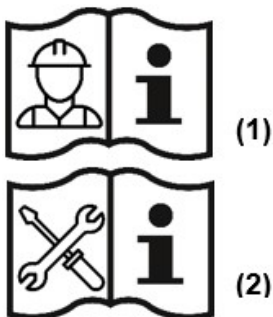


#### ATTENTION:

When using the anchor device, observe the GRÜN safety instructions.  
When mounting the anchor device, observe the assembly instructions.

## Contents

1	Utilisation variants .....	3
2	Technical data .....	4
3	Assembly specifications EN 795 .....	5
3.1	Substrate requirements .....	5
3.2	Structure and assembly of the anchor device .....	5
4	Assembly specifications DIBt .....	7
4.1	Substrate requirements .....	7
4.2	Installation specifications and positioning on the trapezoidal plate.....	7
4.3	Arrangement of trapezoidal profile longitudinal joint connectors .....	8
4.4	Structure and assembly of the anchor device .....	8
4.5	Re-tightening the trapezoidal surface on the substructure .....	10
5	Documentation .....	11
6	Product labelling .....	11
7	Certification bodies .....	11



Abbreviations	Meaning
EAE	Einzelanschlageinrichtung (Single anchor device)
SYS	Seil - System (Lifeline system)
BEF	Befestigungsset (Fixing set)
ZUB	Zubehör (Accessories)

### ATTENTION:

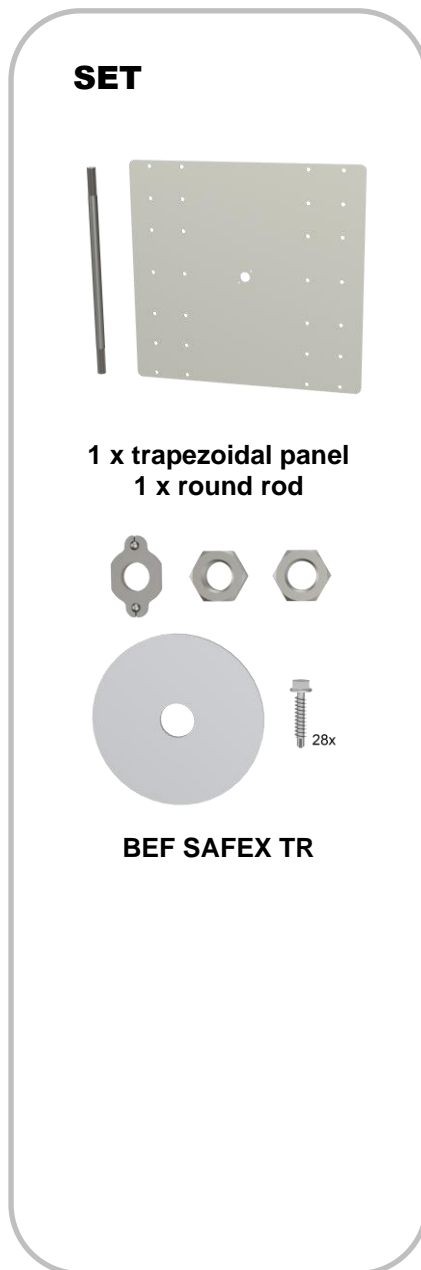
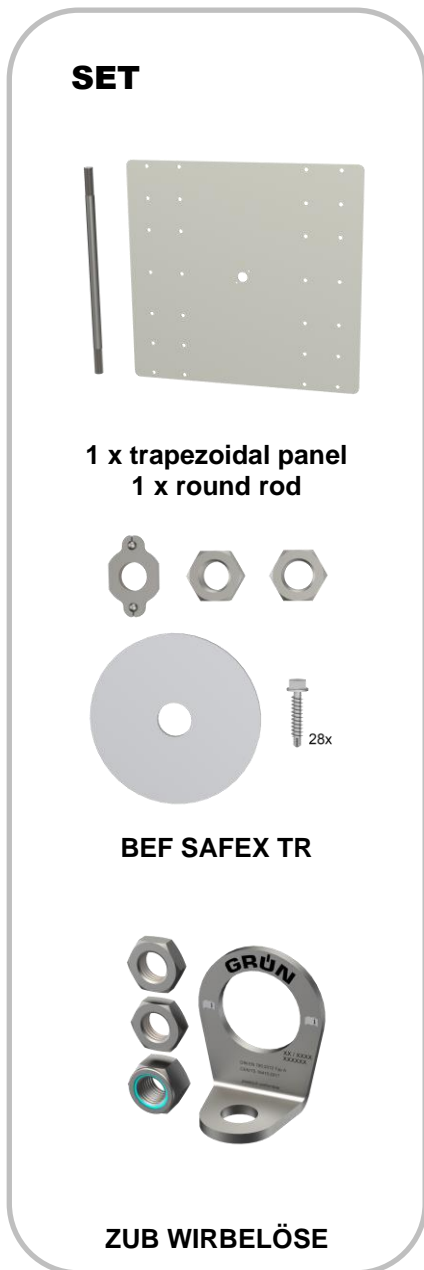
To use the anchor device, observe the GRÜN safety instructions (1).  
To attach the anchor device, observe the installation instructions (2).

**Only the installation instructions from GRÜN apply.**

**Only the fixing materials supplied by GRÜN are permitted to be used.**

**Do not replace individual parts.**

1 Utilisation variants



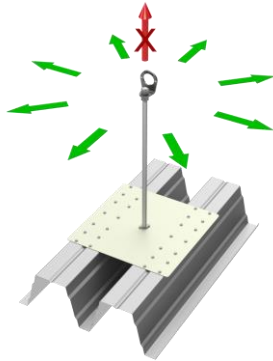
## 2 Technical data

### Standards / approvals for the anchor device:

DIN EN	795:2012	type A/C	for 1 person
CEN/TS	16415:2017	type A/C	for 3 persons
DIBt approval	Z-14.9-725		for 2 persons

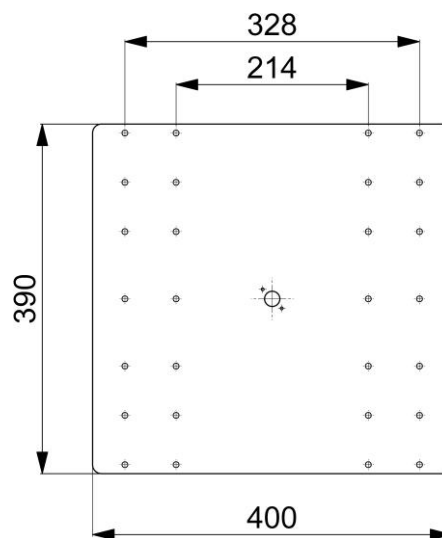
### Anchor device SAFEX TR

Load direction:



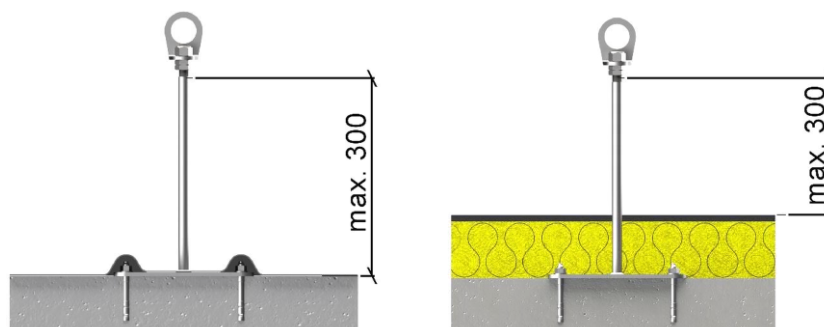
Standard construction height:	300 mm to 600 mm
Custom lengths:	700 mm to 1000 mm
Material:	A2 stainless steel
Base plate:	Steel-powder-coated

Hole pattern:



Max. support projection:

[mm]



The subfloor must be part of the static basic construction.  
In case of doubt, this should be checked by a structural engineer.

Assembly specifications according to EN795

EN 795

### 3 Assembly specifications EN 795

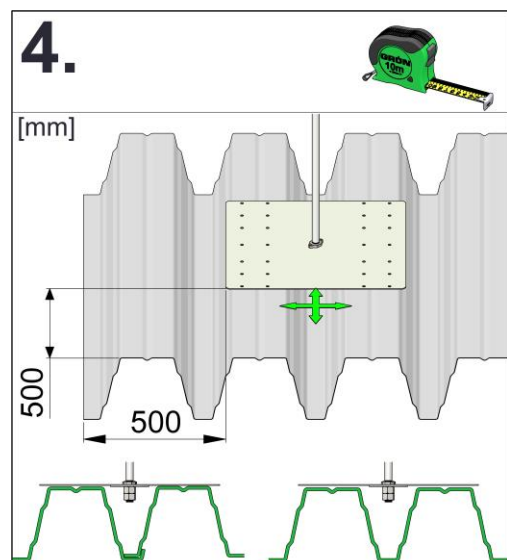
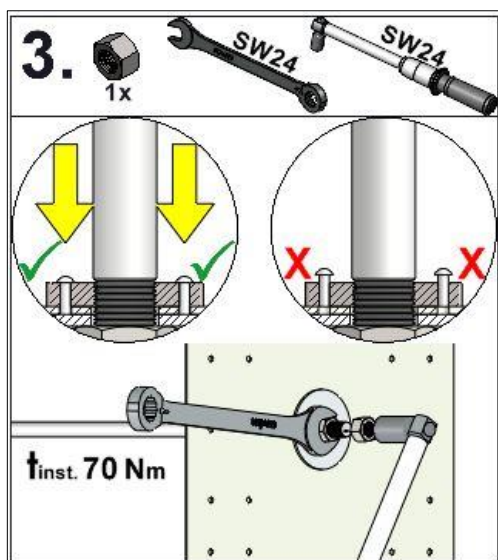
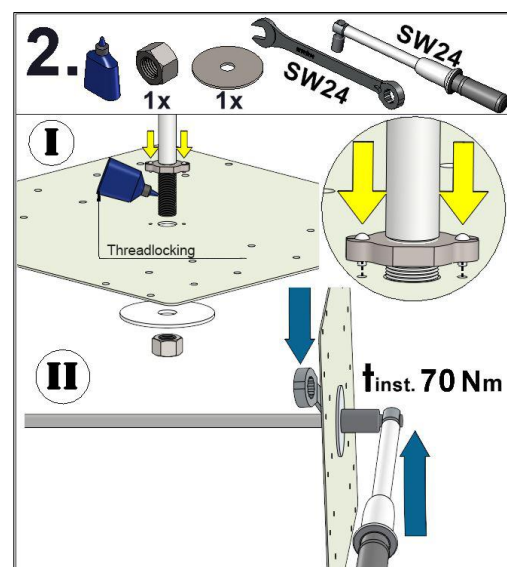
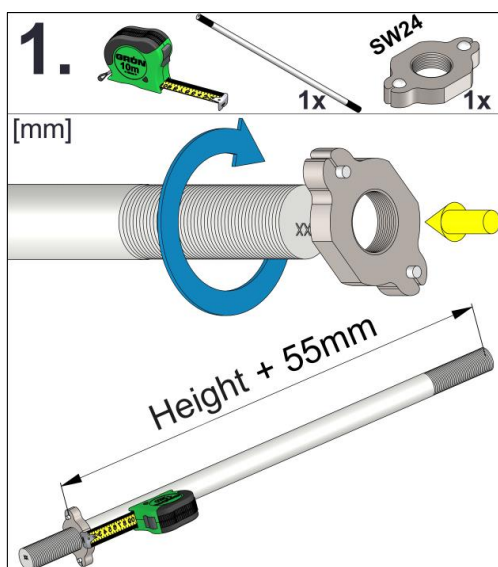
#### 3.1 Substrate requirements

Installation must be carried out on suitable subfloors with adequate strength.

GRÜN recommendation:

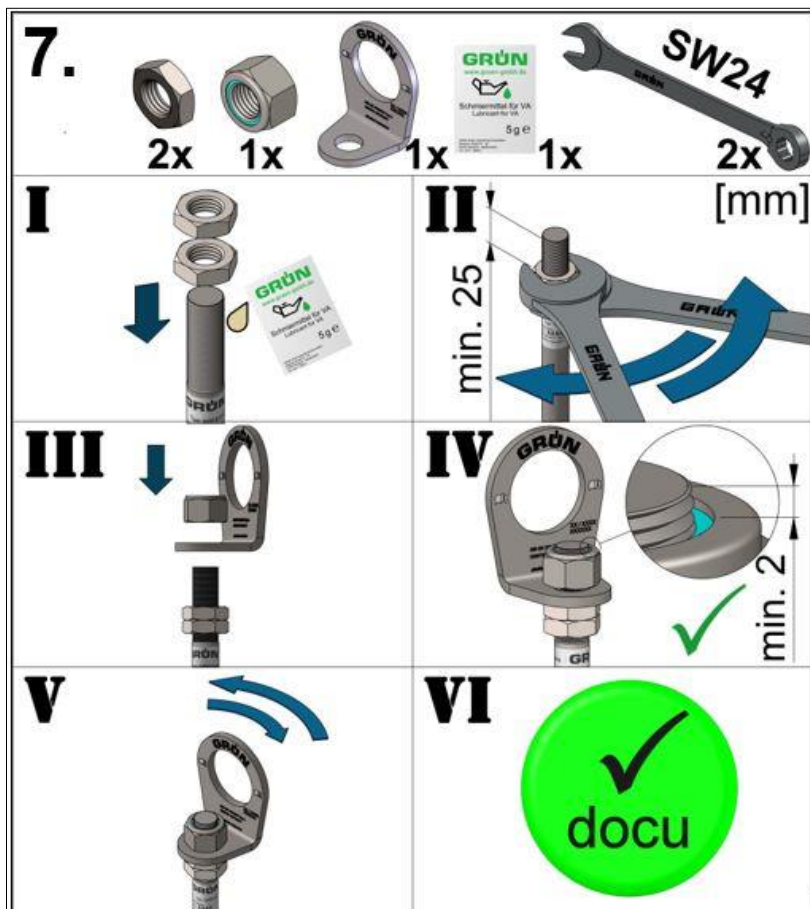
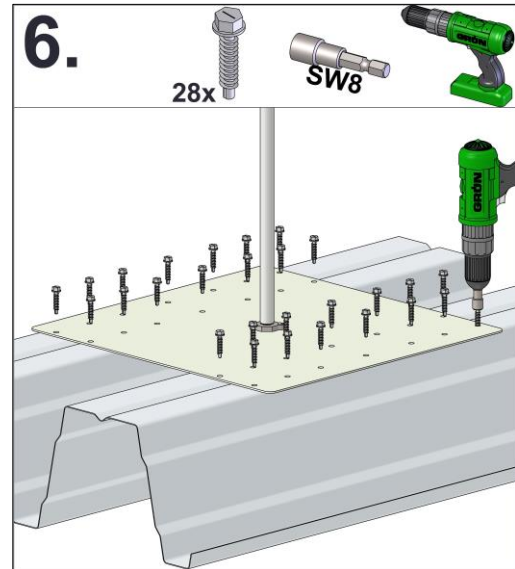
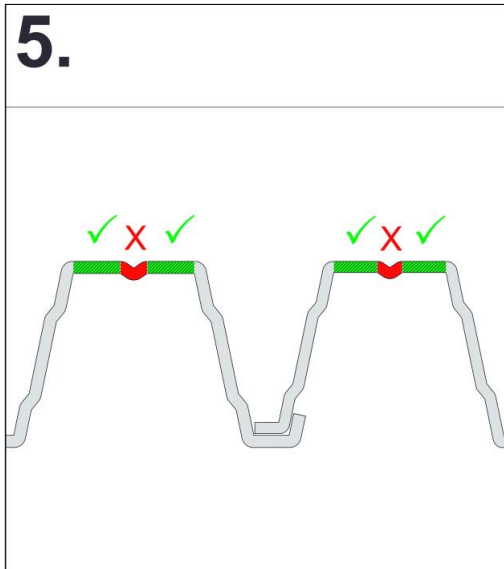
Subfloor	Dimensions
Trapezoidal steel profile	85/280 to 160/250 + 205/375
Profile position	Positive position
Panel thickness	≥ 0.75 mm

#### 3.2 Structure and assembly of the anchor device




Assembly specifications according to EN795

EN 795





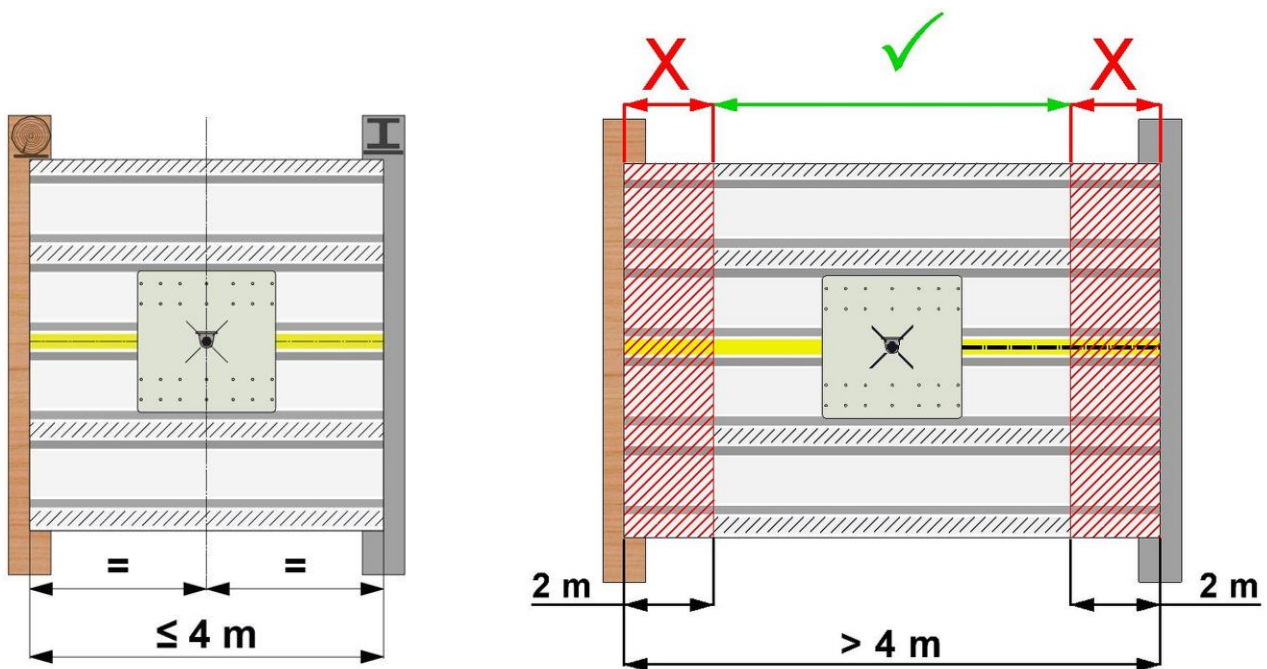
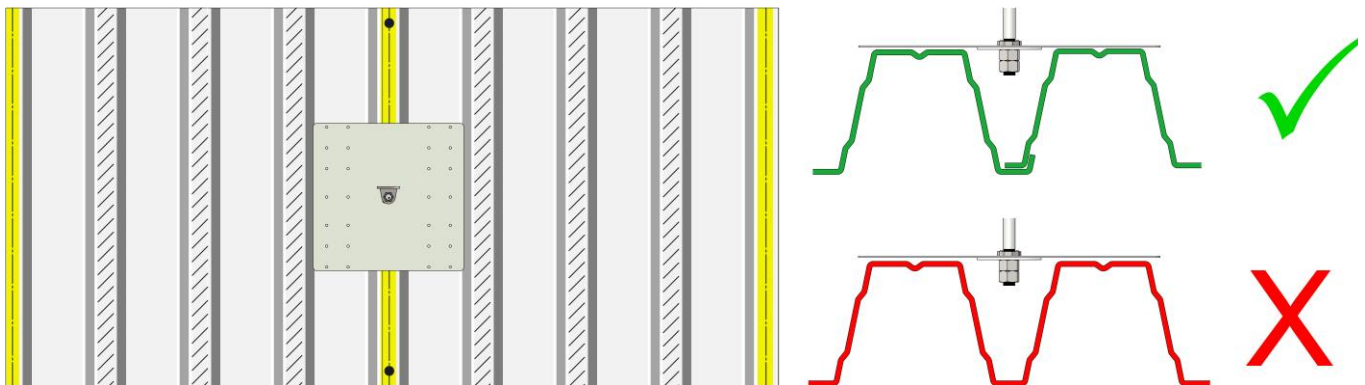
Assembly specifications according to DIBt 

4 Assembly specifications DIBt

4.1 Substrate requirements

Subfloor	Dimensions
Trapezoidal steel profile	85/280 to 160/250 + 205/375
Profile position	Positive position
Panel thickness	≥ 0.75 mm

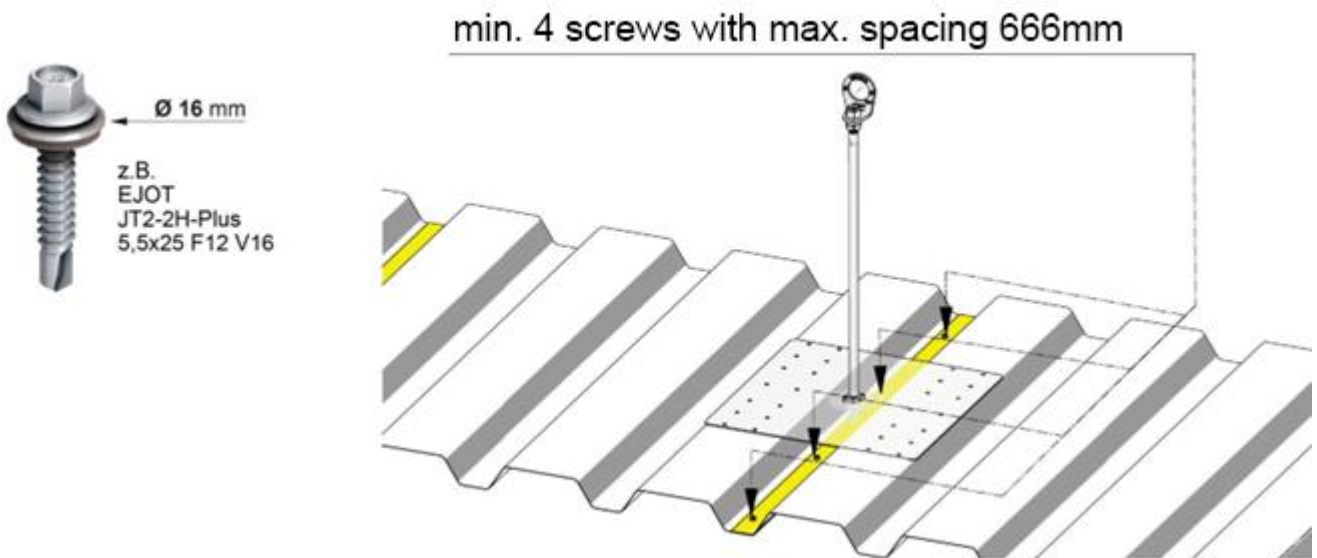
4.2 Installation specifications and positioning on the trapezoidal plate



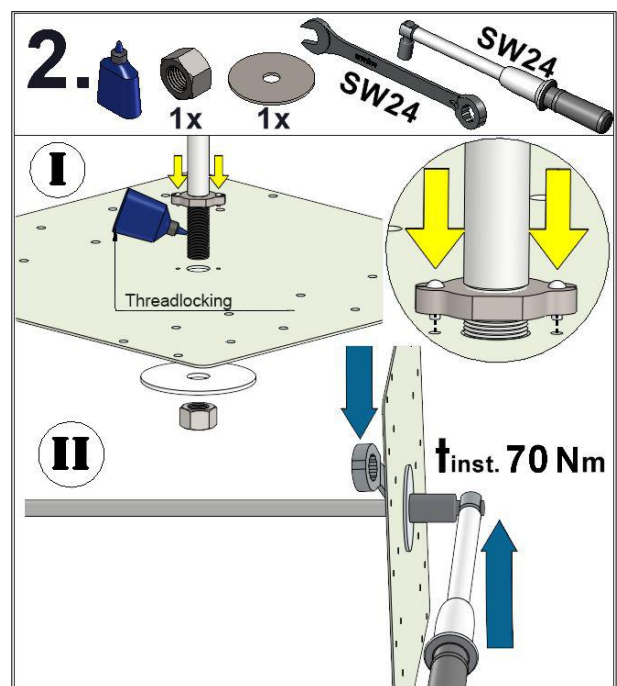
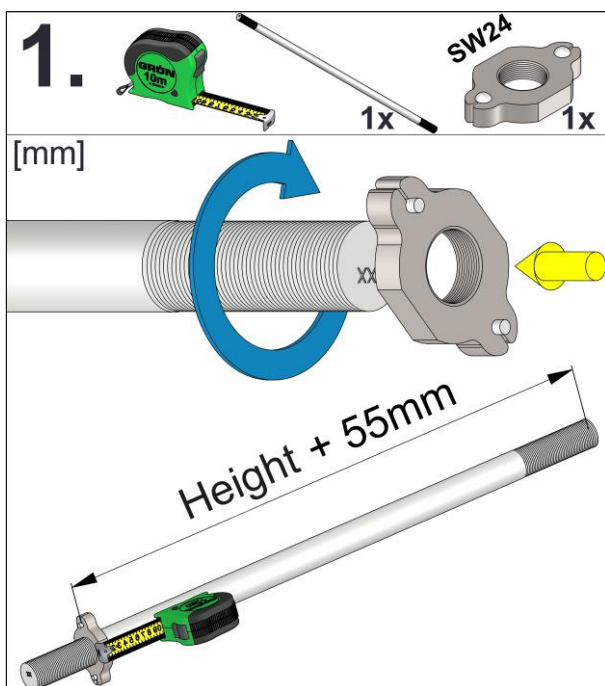
Assembly specifications according to DIBt




4.3 Arrangement of trapezoidal profile longitudinal joint connectors

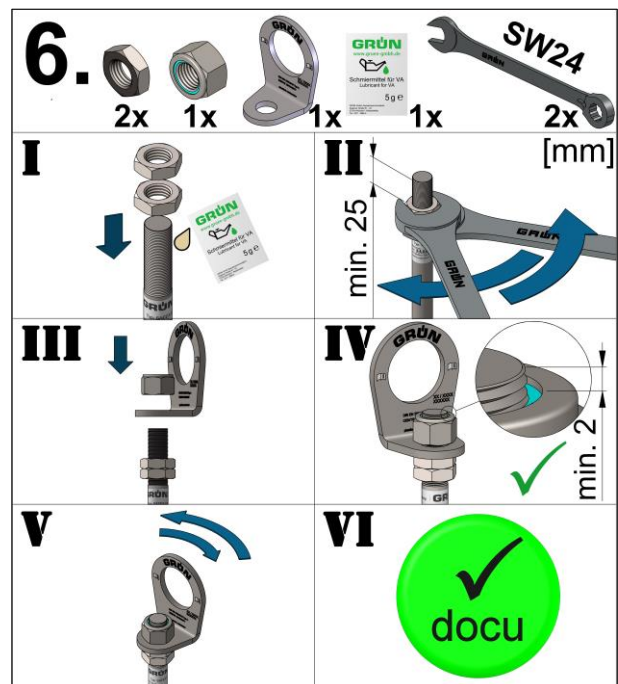
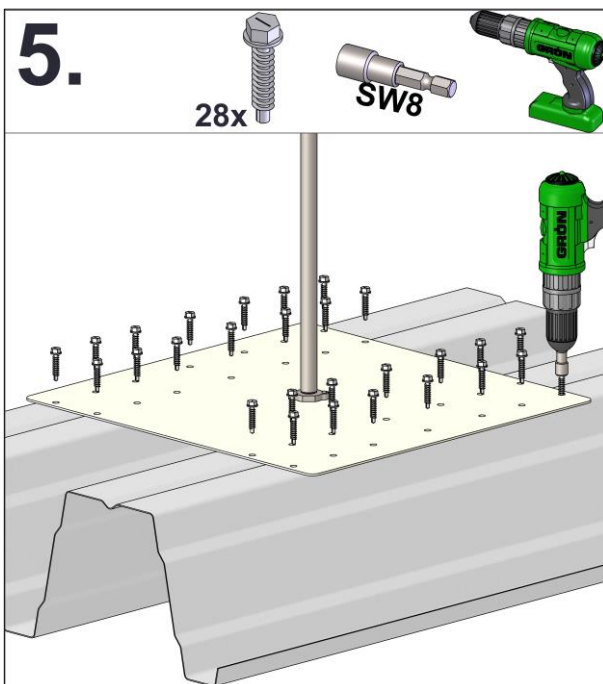
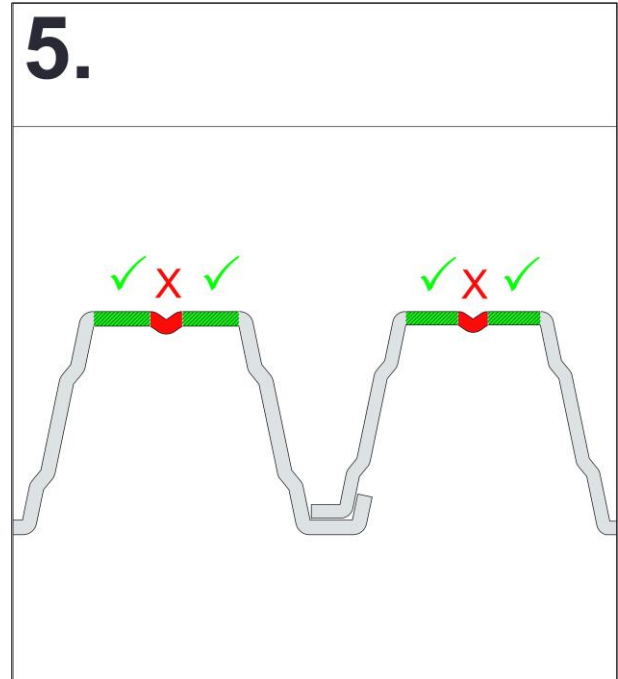
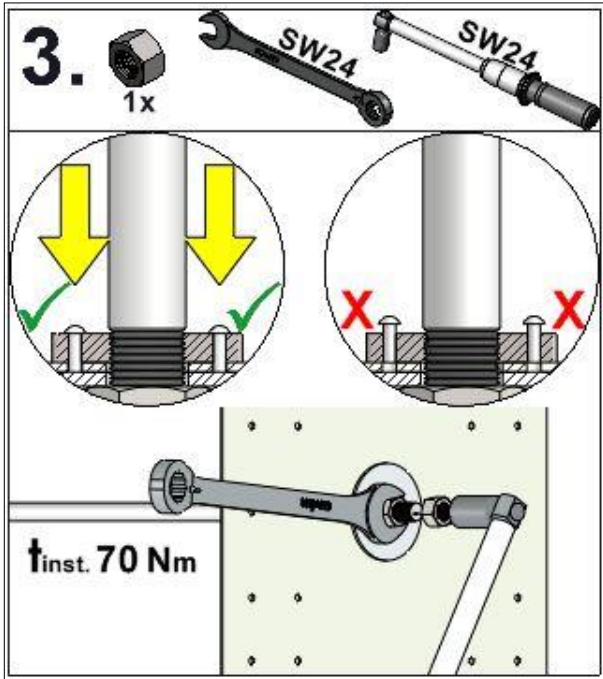



4.4 Structure and assembly of the anchor device





■ Assembly specifications according to DIBt 



Assembly specifications according to DIBt 

4.5 Re-tightening the trapezoidal surface on the substructure



Ø 16 mm  
EPDM seal

$N_{R,K} \geq 3,1 \text{ kN}$

z.B.  
- EJOT JT2-6-5,5xL F12 V16 für 2,5 - 5 mm  
- EJOT JT2-12-5,5xL F12 V16 für 4 - 12 mm  
- EJOT JT2-18-5,5xL F12 V16 für 4 - 16 mm

Ø 14 mm  
Ø 4,5 mm

$N_{R,K} \geq 3,1 \text{ kN}$

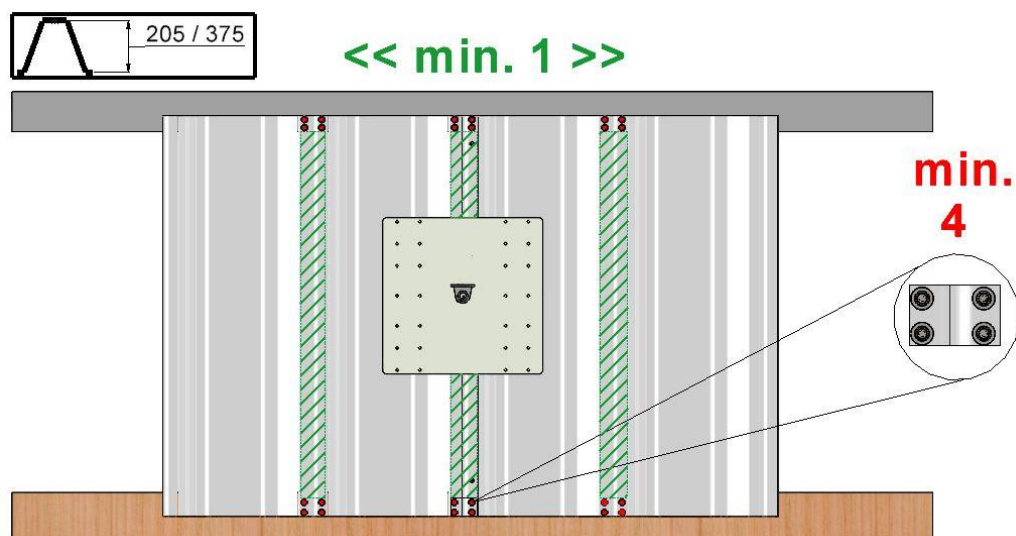
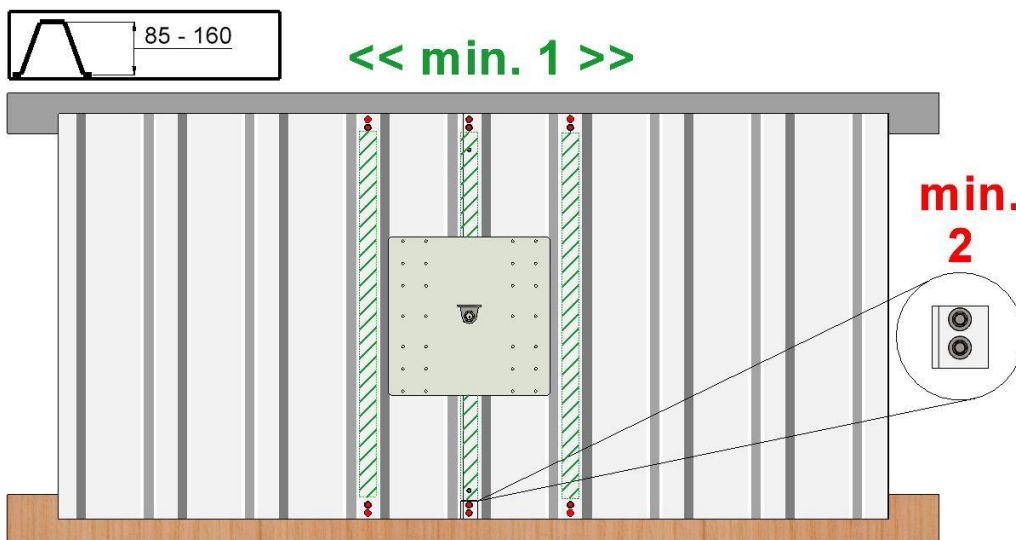
z.B.  
Powder-actuated fastener HSBR-14



Ø 16 mm  
EPDM seal

$N_{R,K} \geq 3,1 \text{ kN}$

z.B.  
- EJOT JT3-Plus-6,8xL E16



## 5 Documentation

The installer is obliged to document the installation, including photos of details that will no longer be visible.

Installation documentation and maintenance documentation form available at:  
(<https://gruen-gmbh.de/de/absturzschutz/downloads/>)



Digital documentation with the GRÜN app possible at:  
(<https://project.gruen-gmbh.de>)



## 6 Product labelling

Type plate



Example illustration of labelling

- ① Manufacturer
- ② Product name
- ③ Article number
- ④ Max. users
- ⑤ Standard with year of issue
- ⑥ General building inspection

Swivel eye (anchorage points)



Example illustration of labelling

- ⑦ DEKRA seal
- ⑧ Mark of conformity
- ⑨ Observe installation instructions & safety instructions
- ⑩ Serial number, year of manufacture
- ⑪ In the event of a fall, plastic deformation of the product occurs

## 7 Certification bodies

Deutsches Institut für Bautechnik (DIBt)  
Kolonnenstr. 30 B  
10829 Berlin  
Germany

abZ No. Z-14.9-725

DEKRA Testing and Certification GmbH  
Persönliche Schutzausrüstung / Personal Protective Equipment  
Dinnendahlstr. 9  
44809 Bochum  
Germany

No.: 0158



MA\_SAFEX\_TR\_en\_24\_07

**GRÜN**

Spezialmaschinenfabrik für Dach, Bau und Straße  
Siegener Straße 81-83  
57234 Wilnsdorf / GERMANY

Tel. +49 (0) 271 - 39 88-0  
Fax +49 (0) 271 - 39 88-159  
E-Mail [info@gruen-gmbh.de](mailto:info@gruen-gmbh.de)  
[www.gruen-gmbh.de](http://www.gruen-gmbh.de)



**Urheberrechtshinweis**

© GRÜN GmbH 2024. Alle Rechte vorbehalten. Diese urheberrechtlich geschützten Unterlagen dürfen - auch auszugsweise - nur mit vorheriger Genehmigung der GRÜN GmbH vervielfältigt, abgeändert oder in irgendeiner Form oder irgendeinem Medium weitergegeben oder in einer Datenbank oder einem anderen Datenspeichersystem gespeichert werden. Eine Verwendung ohne vorherige Genehmigung gilt als Verstoß gegen die jeweiligen Copyright-Bestimmungen.