



EN 795

GRÜN EAE GAP BD



TOOLS

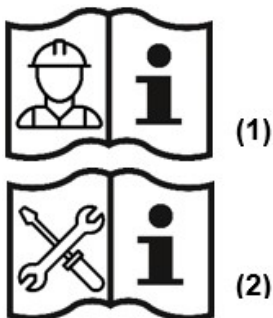


ATTENTION:

When using the anchor device, observe the GRÜN safety instructions.
When mounting the anchor device, observe the assembly instructions.

Contents

1	Utilisation variants	3
2	Technical data	4
3	Assembly specifications EN 795	5
3.1	Substrate requirements	5
3.2	Structure and assembly of the anchor device	5
4	Documentation	6
5	Product labelling	6
6	Certification body	6
7	Notes	7



Abbreviations	Meaning
EAE	Einzelanschlageinrichtung (Single anchor device)
SYS	Seil - S ystem (Lifeline system)
BEF	B efestigungsset (Fixing set)
ZUB	Z ubehör (Accessories)

ATTENTION:

To use the anchor device, observe the GRÜN safety instructions **(1)**.

To attach the anchor device, observe the installation instructions **(2)**.

Only the installation instructions from GRÜN apply.

Only the fixing materials supplied by GRÜN are permitted to be used.

Do not replace individual parts.

1 Utilisation variants



GRÜN EAE GAP BD



SET

Fixing set

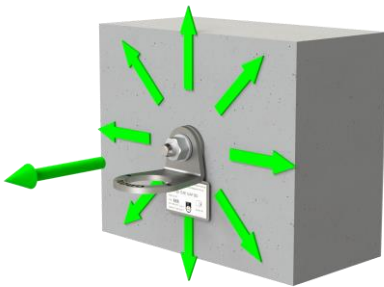
2 Technical data

Standards / approvals for the anchor device:

DIN EN	795:2012	type A/C	for 1 person
CEN/TS	16415:2017	type A/C	for 3 persons

Anchor device GAP BD

Load direction:



Construction height:

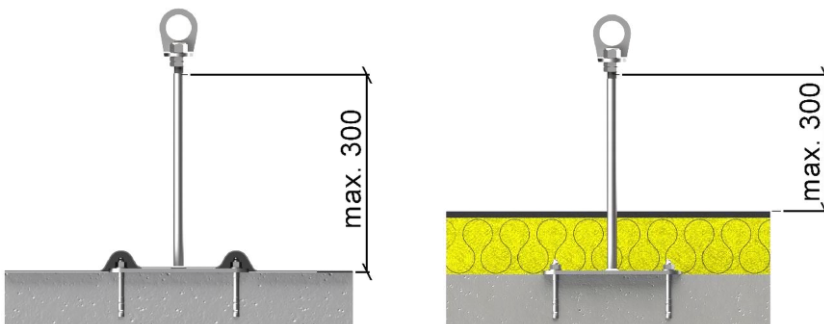
50 mm

Material:

A2 stainless steel

Max. support projection:

[mm]



The subfloor must be part of the static basic construction.
In case of doubt, this should be checked by a structural engineer.

Assembly specifications according to EN795

EN 795

3 Assembly specifications EN 795

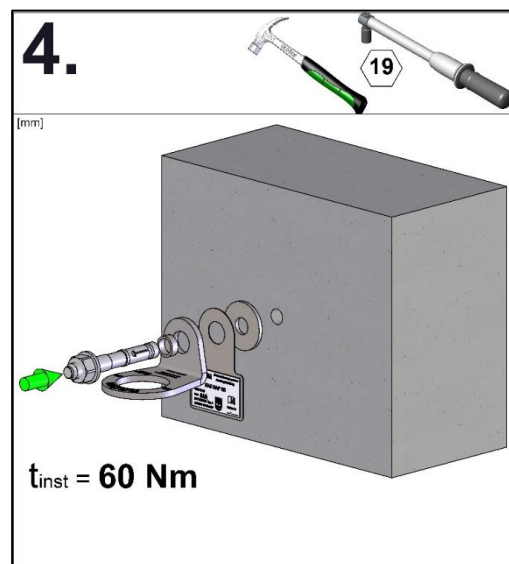
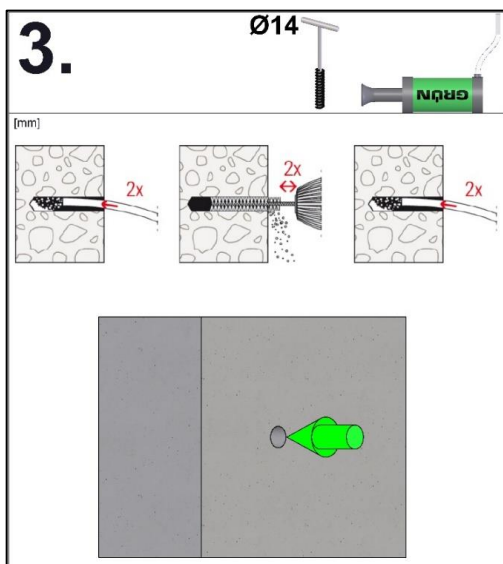
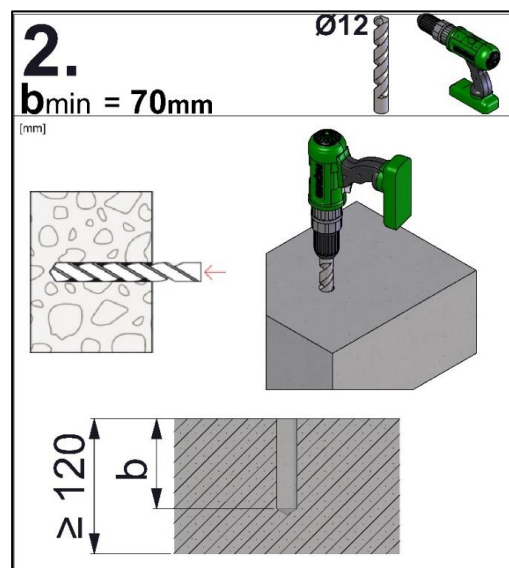
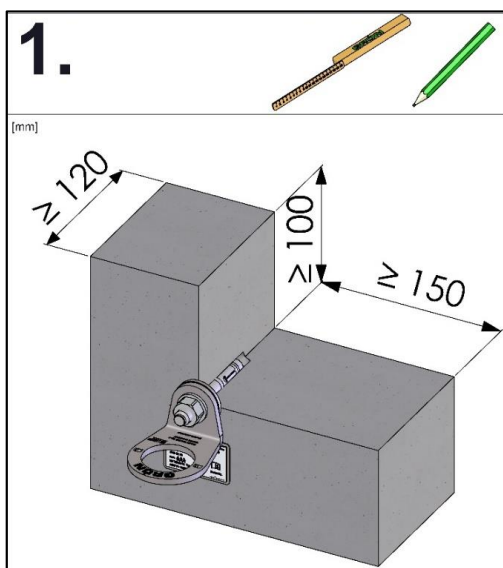
3.1 Substrate requirements

Installation must be carried out on suitable subfloors with adequate strength.

GRÜN recommendation:

Subfloor	Dimensions	
Concrete, non-cracked and cracked (min. C20/25)	Minimum component thickness t_{min}	120 mm
	Edge distance C_{min} (crosswise)	150 mm
	Edge distance C_{min} (vertical)	100 mm

3.2 Structure and assembly of the anchor device



4 Documentation

The installer is obliged to document the installation, including photos of details that will no longer be visible.

Installation documentation and maintenance documentation form available at:
(<https://gruen-gmbh.de/de/absturzschutz/download/>)



Digital documentation with the GRÜN app possible at:
(<https://project.gruen-gmbh.de>)



5 Product labelling

Type plate



Example illustration of labelling

- ① Manufacturer
- ② Product name
- ③ Article number
- ④ Max. users
- ⑤ Standard with year of issue
- ⑥ General building inspection

Swivel eye (anchorage points)



Example illustration of labelling

- ⑦ DEKRA seal
- ⑧ Mark of conformity
- ⑨ Observe installation instructions & safety instructions
- ⑩ Serial number, year of manufacture
- ⑪ In the event of a fall, plastic deformation of the product occurs

6 Certification body

DEKRA Testing and Certification GmbH
Persönliche Schutzausrüstung / Personal Protective Equipment
Dinnendahlstr. 9
44809 Bochum
Germany

No.:  0158



MA_GAP_BD_en_24_05

GRÜN

Spezialmaschinenfabrik für Dach, Bau und Straße
Siegener Straße 81-83
57234 Wilnsdorf / GERMANY

Tel. +49 (0) 271 - 39 88-0
Fax +49 (0) 271 - 39 88-159
E-Mail info@gruen-gmbh.de
www.gruen-gmbh.de



Urheberrechtshinweis

© GRÜN GmbH 2024. Alle Rechte vorbehalten. Diese urheberrechtlich geschützten Unterlagen dürfen - auch auszugsweise - nur mit vorheriger Genehmigung der GRÜN GmbH vervielfältigt, abgeändert oder in irgendeiner Form oder irgendeinem Medium weitergegeben oder in einer Datenbank oder einem anderen Datenspeichersystem gespeichert werden. Eine Verwendung ohne vorherige Genehmigung gilt als Verstoß gegen die jeweiligen Copyright-Bestimmungen.