

# Instructions for use Anchor device "TopKit"

Article no. 6057 0000

# GRÜN

PPE anchor device according to EN 795:2012 Type E



## ACHTUNG:

Die Montage und die Verwendung der Anschlagereinrichtung sind erst zulässig, nachdem der Monteur oder der Anwender die Gebrauchsanweisung in der jeweiligen Landessprache gelesen hat.

## ATTENTION:

Installation and use of the safety product is only allowed after the installer or user has read the installation and safety instruction in his or her native tongue.

## DEUTSCH

## ENGLISH

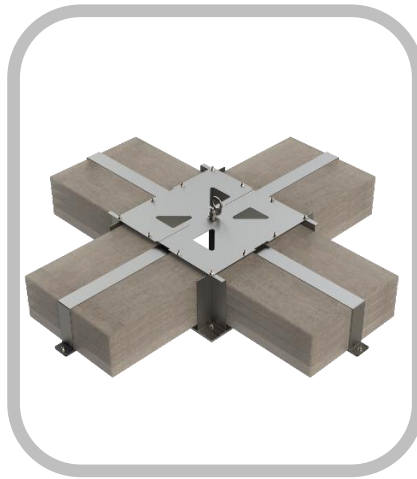


Illustration shows GRÜN "TopKit"

© GRÜN GmbH. No liability for errors and printing errors. We reserve the right to make technical changes!  
© GRÜN GmbH. No liability for errors and printing errors. We reserve the right to make technical changes.

**Installation location /  
building:**

---

**Date of commissioning:**

---

**Operator / user:**

---

**Street:**

---

**Postcode, city:**

---

**Tel:**

---

**Fax:**

---

**Email:**

---



QR-Code GRÜN

This is a translation of the original documents

The instructions for use enclosed with each anchor device must be read through before installation and each use and kept with the caretaker or in the vicinity of the anchor device.

## Table of contents

<b>1.</b>	<b>Safety instructions</b> .....	<b>3</b>
1.1.	IMPORTANT NOTICE: .....	3
1.2.	CHECK BEFORE EACH USE .....	3
1.3.	COMPATIBLE EQUIPMENT .....	3
1.4.	SAFETY INSTRUCTIONS .....	3
1.5.	SAFETY INSTRUCTIONS FOR INSTALLATION .....	4
1.6.	CLEANING .....	4
1.7.	USE / MAX. SERVICE EXPECTANCY .....	4
<b>2.</b>	<b>Technical data</b> .....	<b>5</b>
2.1.	GENERAL INFORMATION ON ASSEMBLY .....	5
<b>3.</b>	<b>Marking of the anchor device (EN 365)</b> .....	<b>6</b>
<b>4.</b>	<b>EU type examination of the anchor device:</b> .....	<b>7</b>
<b>5.</b>	<b>Structure and assembly of the anchor device</b> .....	<b>7</b>
5.1.	ASSEMBLY INSTRUCTIONS .....	8
5.1.1.	Mounting instructions: .....	8
5.1.2.	Assembly sketches: .....	9
5.1.3.	Spare parts: .....	12
<b>6.</b>	<b>Load direction</b> .....	<b>13</b>
<b>7.</b>	<b>Application example rope system Greenline GES-3</b> .....	<b>13</b>
<b>8.</b>	<b>Control card "Verification"</b> .....	<b>14</b>
<b>9.</b>	<b>Assembly protocol</b> .....	<b>15</b>
<b>10.</b>	<b>Copy template roof supervision</b> .....	<b>16</b>
<b>11.</b>	<b>Sketches / Notes / Notes:</b> .....	<b>17</b>

## 1. Safety instructions



The installation and use of the anchor device is only permitted after the installer and the users have read the safety instructions in the respective national language.

### 1.1. IMPORTANT NOTICE:

- The installer and the users of the anchor device must have read and understood these safety instructions before use and must comply with the manufacturer's instructions.
- The anchor device may only be used by persons who are familiar with the instructions for use, as well as with the safety rules applicable on site, who are physically or mentally healthy and who have been trained in PPE (personal protective equipment).
- If the anchor device is sold in countries where other languages are spoken, the dealer must ensure that the instructions for use of the anchor device are supplied in the language of the country concerned.
- No structural changes may be made to an anchor device without the express written permission of the manufacturer: GRÜN GmbH. Modifications impair the effectiveness of the anchor device and thus the safety of the user.

### 1.2. CHECK BEFORE EACH USE

- Before use, the entire anchor device must be visually inspected for obvious defects (e.g. loose screw connections, deformations, wear, corrosion, defective roof surfaces).  
If there is any doubt about the safe function of the anchor device, the anchor device must not be used and must be checked by an expert with written documentation.
- The legibility of the product identification (type plate) must be checked.
- A rescue plan must be in place to cover all possible emergencies that may occur at work.
- Before starting work, measures must be taken to ensure that no objects can fall down from the work site. Keep the area under the work location clear.
- The surface must be checked for obvious defects (e.g. folds, cracks, etc.) before using the anchor device.
- An anchor device must not be used if the wind force exceeds the usual level.
- To connect the PPE with the anchor device, always use a connecting element according to EN 362 (carabiner).

### 1.3. COMPATIBLE EQUIPMENT

- Personal protective equipment against falls from height (PPE):
  - EN 361 (safety harnesses)
  - EN 362 (fasteners)
  - EN 363 (fall arrest system, force absorbing energy absorber EN 355 (max. 6 kN) with lanyard EN 354)

must be worn when using the anchor device:

- The combination of individual PPE elements can give rise to hazards that impair proper functioning of the system. Therefore, it must be ensured that the equipment fits together when assembled into a system. The instructions for use and manufacturer's instructions for the PPE used must be observed!
- In the case of fall arrest systems, it is essential for safety that the position of the anchor device or anchor point and the way in which the work is carried out limit the free fall to a minimum.
- Attention: For horizontal use, only lanyards that are suitable for this purpose and tested for the corresponding edge design (sharp edges, trapezoidal sheet metal, steel girders, concrete, etc.) may be used.
- The use of the anchor device in combination with fall arresters (EN 360) is only permitted if the combined components have been tested together by the manufacturer.
- In the case of a restraint system with a cable grab, the lanyard must be adjusted to ensure a fall during use is ruled out. GRÜN GmbH accepts no liability in the event of non-compliance!
- The PPE anchor devices are not suitable for rope access (RA) work according to DIN EN 363.

### 1.4. Safety instructions

- Health restrictions (e.g. taking medication, alcohol abuse, heart and circulation problems) can negatively affect the user's safety when working at height.
- Children and pregnant women must not use the anchor device.
- During assembly/use of the anchor device, the applicable accident prevention regulations must be observed and complied with.
- Before using the anchor device, it must be determined which rescue measures are to be initiated in all possible types of emergencies.
- The anchor device is designed to withstand loads in all directions parallel to the mounting surface. In the event of a fall, the forces introduced into the fastening base by the anchor device can amount to 6 kN at the anchor point.
- When using the roof safety system, document the positions of the anchor devices using plans (e.g. sketch of the roof view).
- The anchor device should be planned, installed and used in such a way that no fall over the edge is possible when the personal protective equipment is used correctly.

- In the event of a fall of a person secured to the anchor device, the resulting displacement of the anchor device (max. 1000 mm for the fall arrest distance (displacement of the fall arrest harness on the body, tearing open of the fall arrester and lengthening of the rope) must be taken into account. The necessary minimum clearance from the edge to the ground is calculated as follows:
  - Manufacturer's specification of the personal protective equipment (fall impact absorber, etc.)
  - Displacement of the anchor device (max. 1000 mm)
  - In the rope system up to 2500 mm rope deflection
  - Operator's body height
  - 1 m safety clearance.
- After a fall load, the anchor device must be withdrawn from further use and inspected by an expert (sub-components, attachment to the ground, etc.).
- The anchor device was developed for personal safety and must not be used for other purposes. Never suspend undefined loads on the anchor device.
- In some situations, the user may hold on to the anchor device (bar, eyelet or rope) for safety reasons. This is permissible, but care should be taken not to apply too much force, otherwise, deformations may occur on the supporting brackets. The brackets are specially designed to deform to protect the substructure and users from excessive forces under load (e.g. falling).
- Hazards may arise that impair the function of the equipment, e.g. slack rope, sharp edges, chemicals, electrical influences, abrasion, deformation. In this case, the device must not be used!
- In the case of sloping roof surfaces, avalanches (ice, snow) must be prevented from sliding down the roof by means of suitable snow catchers.
- The entire anchor device must be inspected at least every 12 months by a competent person authorised by the manufacturer, following the manufacturer's instructions.  
Have the expert document the inspection on the provided inspection form.

### 1.5. Safety instructions for installation

- Anchor devices tested in accordance with EN 795 may only be assembled by competent persons familiar with the anchor devices of GRÜN GmbH.
- The installers must ensure that the surface is suitable for the attachment of the anchor device. If in doubt, consult a structural engineer.
- If any uncertainties arise during assembly, it is essential to contact the manufacturer.
- The professional fastening of the anchor device to the structure must be documented by assembly records of the respective installation situation. We

recommend taking photos of the individual installation situation.

- The sealing of the anchor device in the roof covering must be carried out professionally in accordance with the applicable guidelines. If the marking of the anchor device is no longer accessible/recognisable after installation, an additional marking must be made nearby.
- Lubricate all stainless steel screws with a suitable lubricant before assembly.
- The specified screw tightening torques must be carried out with a tested torque spanner.
- The position of the anchor device or anchor system should always be chosen in such a way that the free fall potential is kept to a minimum.

### 1.6. Cleaning

- Metal parts are to be cleaned by wiping with a cloth after use. Other types of cleaning (e.g. dry cleaning) are not permitted.

### 1.7. Use / max. service expectancy

- Our products are made of high-quality stainless steel, which means that the typical service expectancy of these products is 25 years or more. The actual service life depends in particular on environmental influences and the type and intensity of use. It is actually affected by proper maintenance of the system and regulated by mandatory expert inspection, performed once a year. In extreme cases, PPE can be damaged during the first use and must be withdrawn from use immediately.

# Instructions for use

## Anchor device "TopKit"

Article no. 6057 0000

# GRÜN

PPE anchor device according to EN 795:2012 Type E

## 2. Technical data

**GRÜN TopKit** is a load-bearing anchor device for attaching personal protective equipment against falls from height, and can be installed on flat roofs without penetrating the roof sealing.

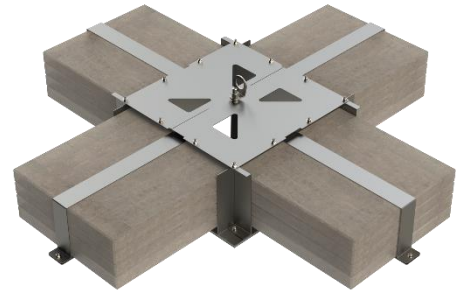
### Standards / approvals for the anchor device:

PPE Regulation (EU) 2016/425 (Cat. III, PSA)  
EN 795:2012 Type E for 2 persons (incl. first aider)  
EN 795:2012 Type C for 2 persons (incl. first aider)

### Anchor device "TopKit":

Area load: 2 kN/m<sup>2</sup>  
Construction height: 310 mm  
Thread: M16  
Dimension: 1,600 mm x 1,600 mm

Material: A2 stainless steel  
Concrete slabs: 16 pcs - 500 mm x 500 mm x 50 mm **or**  
20 pcs - 500 mm x 500 mm x 40 mm  
(not included in the scope of delivery!)  
Operating weight: approx. 450 kg



### 2.1. **General information on assembly**

- The anchor device may only be used with a roof pitch  $\leq 5^\circ$ .
- The anchor device can be used on flat roofs with / without a parapet.
- The anchor device may only be used on bitumen and plastic waterproofing membranes.
- The anchor device must not be used in snow or icy conditions (frost), on gravel or on other slippery substances.
- To protect the roof waterproofing membranes, it is recommended to apply a protective layer of material identical to the roof membrane underneath the "TopKit". The protective layer must be force-fitted to the roof waterproofing membrane.
- The anchor devices must not be used in areas where the function of the anchor device can be impaired by water accumulation or contamination of the roof surface (e.g. by oil, grease, algae growth).
- The subfloor must be part of the static basic construction and suitable for the load (450 kg). In case of doubt, this should be checked by a structural engineer.
- There is a DANGER OF LIFE if the unit is mounted on an unsuitable surface!
- When assembling and using the anchor device, the safety instructions under "1. Safety instructions" must be observed and followed.

**GRÜN TopKit** has been tested and certified according to EN 795:2012 type E. Both static and dynamic tests were conducted on the relevant original substrate.

**GRÜN TopKit** is suitable as a substructure for attaching the Greenline® horizontal anchor device (rope safety system) according to DIN EN 795 type C. For information on mounting in the rope system, see "5. Structure and assembly of the anchor device"

**GRÜN TopKit** is **not** suitable for rope-access (RA) work according to DIN EN 363.

# Instructions for use

## Anchor device "TopKit"

Article no. 6057 0000

# GRÜN

PPE anchor device according to EN 795:2012 Type E

### 3. Marking of the anchor device (EN 365)

#### Nameplate



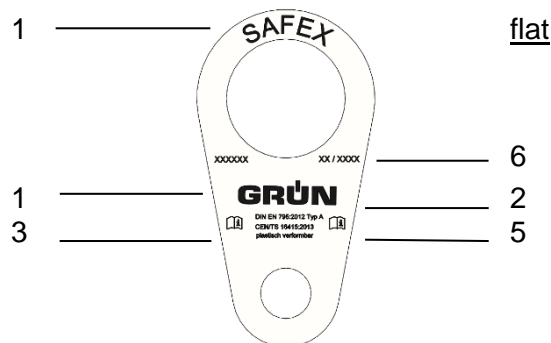
Sample figure – Marking

1	Logo: Manufacturer	5	Max. Number of users
2	Manufacturer's address	6	Standard with year of issue / type of anchor device
3	Designation of the anchor device	7	Serial no. / Year of manufacture
4	References to the product description	8	Assembly and operating instructions must be observed

#### Marking removable anchor points



1	Logo: Manufacturer / Designation	5	Usage advice: In the event of a fall, a plastic deformation of the product occurs
2	Symbol: Observe the assembly and operating instructions	6	Serial no. / Year of manufacture
3	Standard with year of issue		



1	Logo: Manufacturer / Designation	5	Usage advice: In the event of a fall, a plastic deformation of the product occurs
2	Symbol: Observe the assembly and operating instructions	6	Serial no. / Year of manufacture
3	Standard with year of issue		

© GRÜN GmbH. No liability for errors and printing errors. We reserve the right to make technical changes!  
© GRÜN GmbH. No liability for errors and printing errors. We reserve the right to make technical changes.



#### 4. EU type examination of the anchor device:

TÜV Austria Services GmbH  
German Street 10  
1230 Vienna  
Austria  
No.: **CE**0408

**Copyright notice**  
© GRÜN GmbH 2021. All rights reserved. These copyright-protected documents – whether in whole or in part – may only be reproduced, altered, transmitted in any form or medium, or stored in a database or other data storage system with the prior permission of GRÜN GmbH. Any usage without prior approval shall be considered a breach of the respective copyright terms.

#### 5. Structure and assembly of the anchor device

The anchor device is installed at a recommended minimum distance of 2.5 m from the edge of the roof / edge of the fall (see planning principles DGUV 201-056).

The distance between the attachment points (EAP) must not exceed 7.5m.

The basic prerequisite is a statically stable substructure and compliance with the instructions for use and the safety instructions.

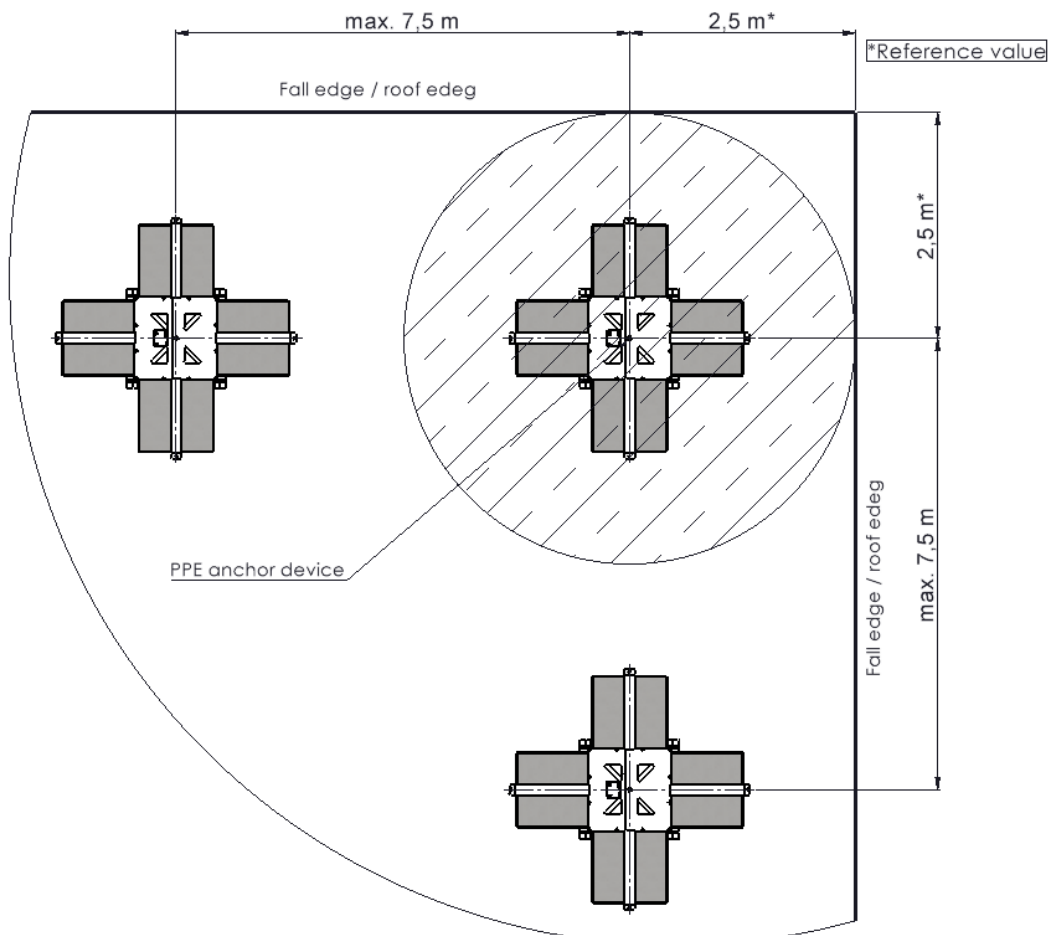
The anchor device may be used up to a roof pitch of 5°.

If there is any doubt about the condition of the substrate, a structural engineer should be consulted.

The single anchor point must be positioned in such a way that in case of a fall over the fall edge, the maximum fall factor is 1 (= max. 2 m).

In the rope system, the possible rope deflection of up to 2500 mm during a fall must also be taken into account when positioning.

#### Position sketch EAP / roof



# Instructions for use

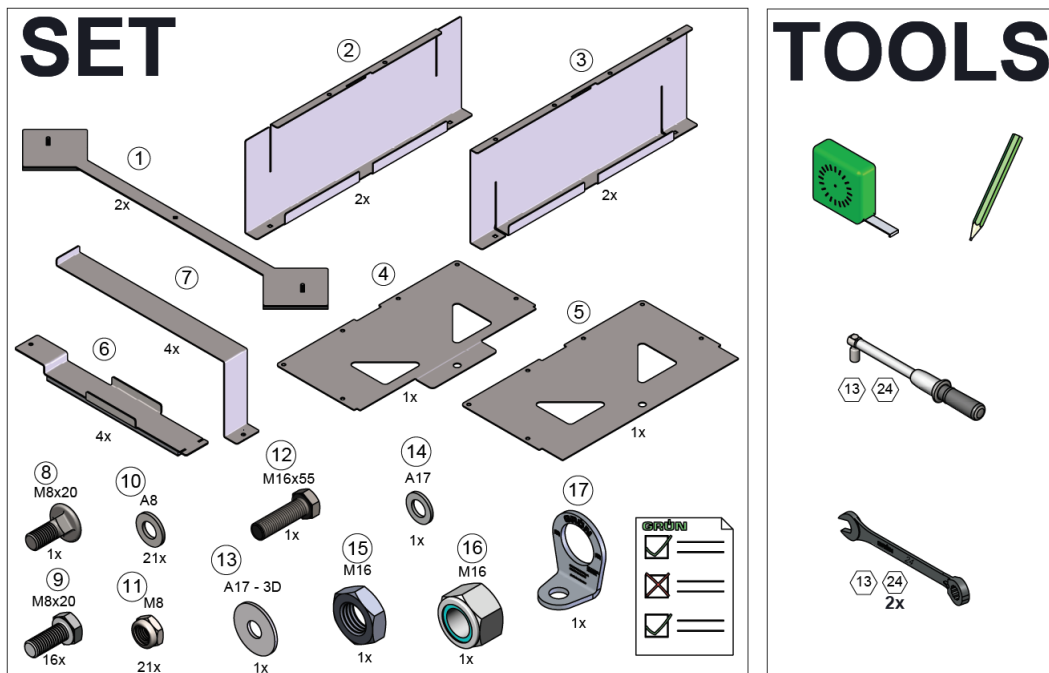
## Anchor device "TopKit"

Article no. 6057 0000

# GRÜN

PPE anchor device according to EN 795:2012 Type E

### 5.1. Assembly instructions



#### 5.1.1. Mounting instructions:

- Only the operating instructions of the GRÜN company apply.
- The subfloor must be part of the static basic construction and suitable for the load (450 kg). In case of doubt, this should be checked by a structural engineer.
- It is recommended to apply an additional protective layer (made of material identical to the roof waterproofing membrane) underneath the anchor device to protect the roof waterproofing membranes. The protective layer must be force-fitted to the roof waterproofing membrane.
- In order to guarantee the functionality of the anchor device, any dirt on the roof surface must be removed before installation (broom clean + degreased). The anchor device is to be mounted on roof surfaces that are as wrinkle-free as possible.
- During each assembly and disassembly (except initial assembly), the anti-slip coating of the outriggers and the base body must be visually inspected and gently cleaned.
- Only the fixing material supplied by GRÜN may be used. Do not exchange individual parts.
- Lubricate all stainless steel screws with a suitable lubricant before assembly.
- All screws must be tightened with the following torques M8 = 20 Nm and M16 = 45 Nm.
- The strength and installation specifications of the fastening manufacturers must be observed.
- The professional assembly of the anchor device must be documented by the protocols at the end of the instruction manual.
- For mounting the anchor point (eyelet) see assembly sketch step "E".



# Instructions for use

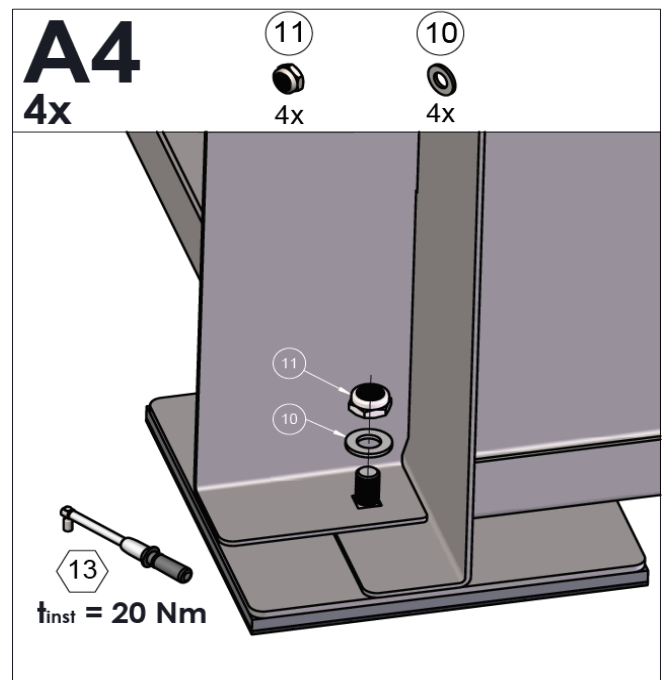
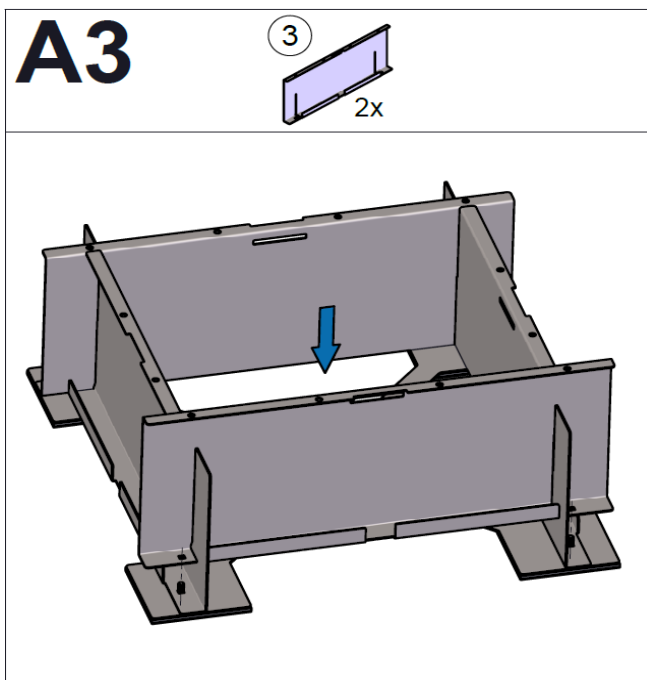
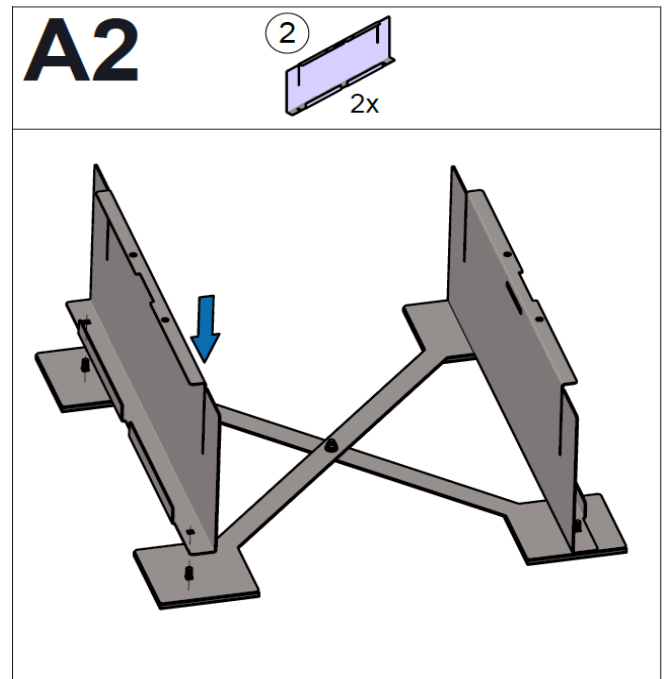
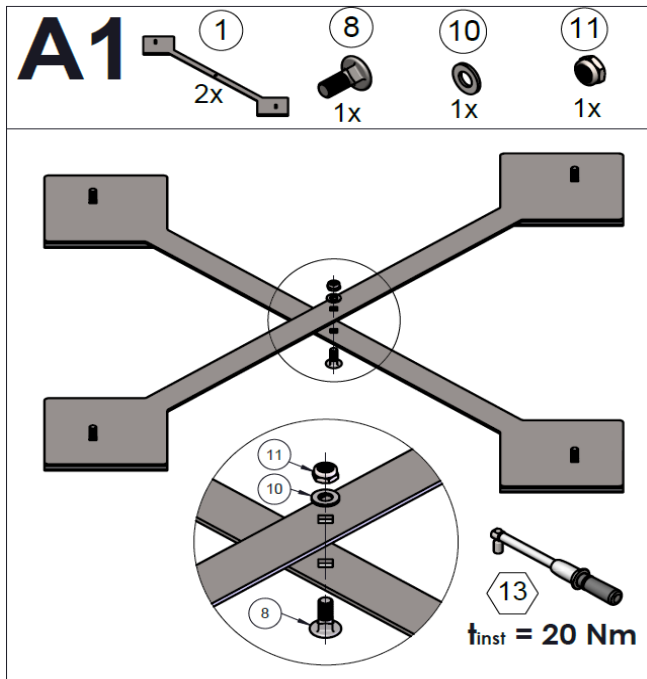
## Anchor device "TopKit"

Article no. 6057 0000

# GRÜN

PPE anchor device according to EN 795:2012 Type E

### 5.1.2. Assembly sketches:



© GRÜN GmbH. No liability for errors and printing errors. We reserve the right to make technical changes!  
© GRÜN GmbH. No liability for errors and printing errors. We reserve the right to make technical changes.

# Instructions for use

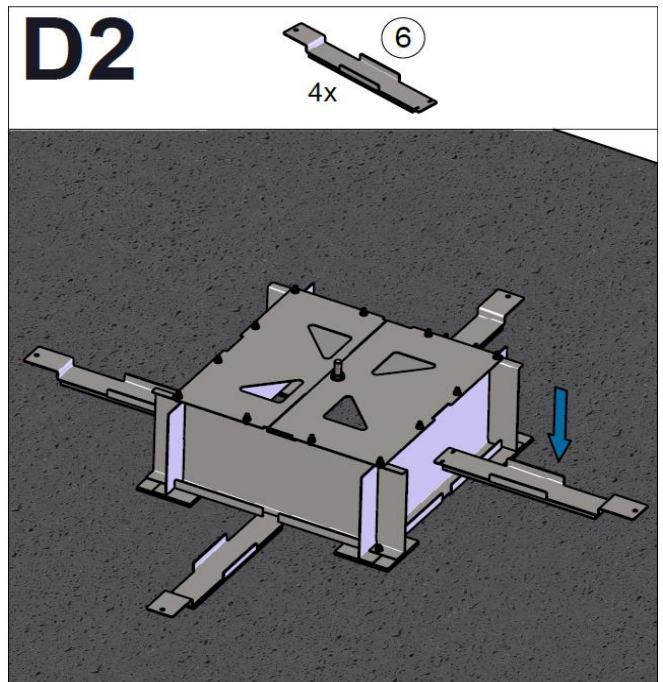
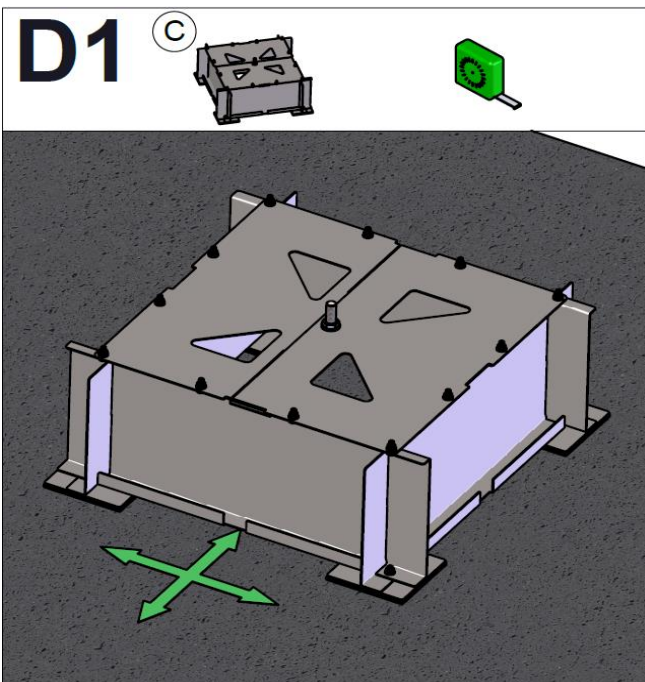
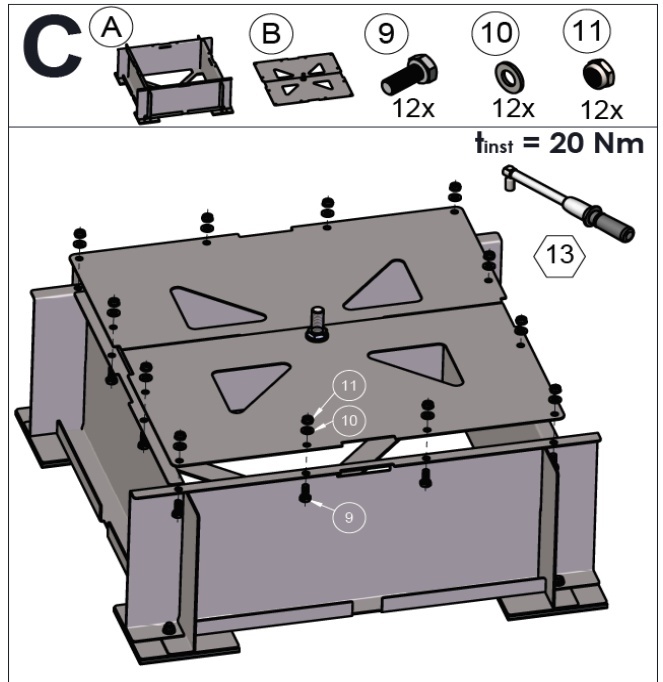
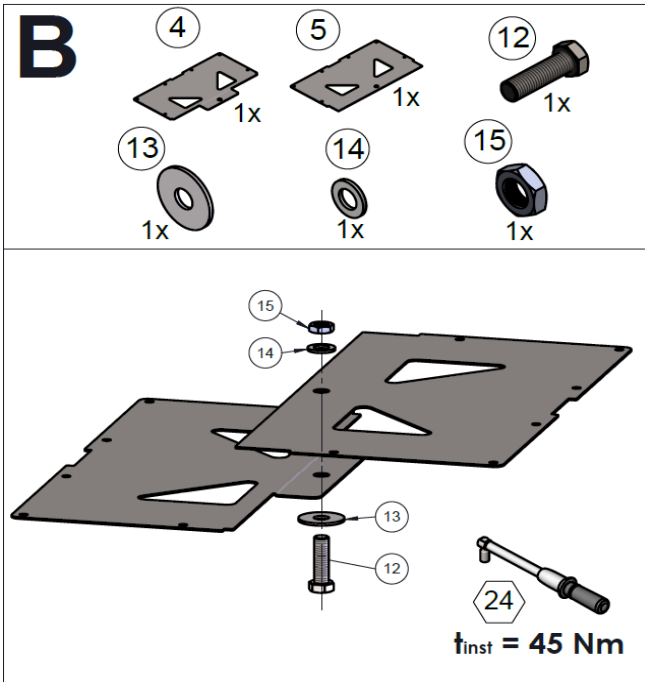
## Anchor device "TopKit"

Article no. 6057 0000

# GRÜN

PPE anchor device according to EN 795:2012 Type E

© GRÜN GmbH. No liability for errors and printing errors. We reserve the right to make technical changes!  
© GRÜN GmbH. No liability for errors and printing errors. We reserve the right to make technical changes.



# Instructions for use

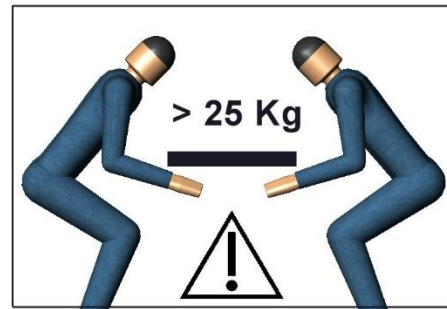
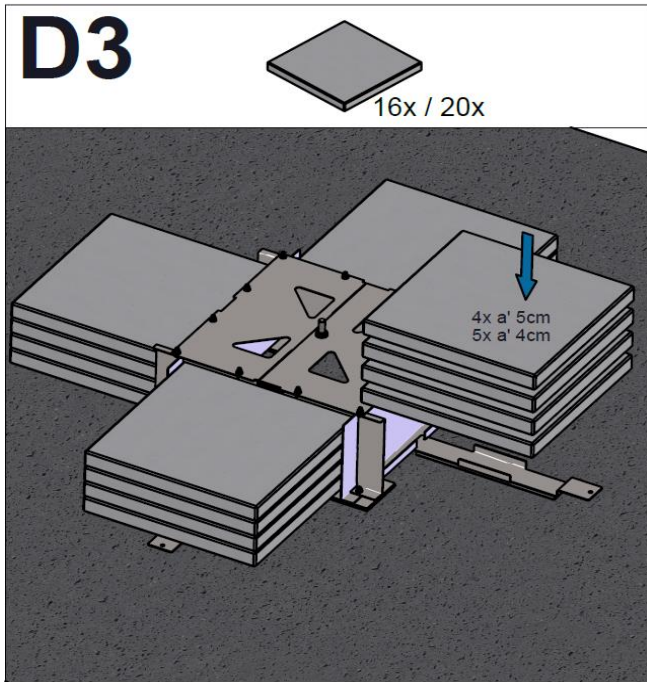
## Anchor device "TopKit"

Article no. 6057 0000

# GRÜN

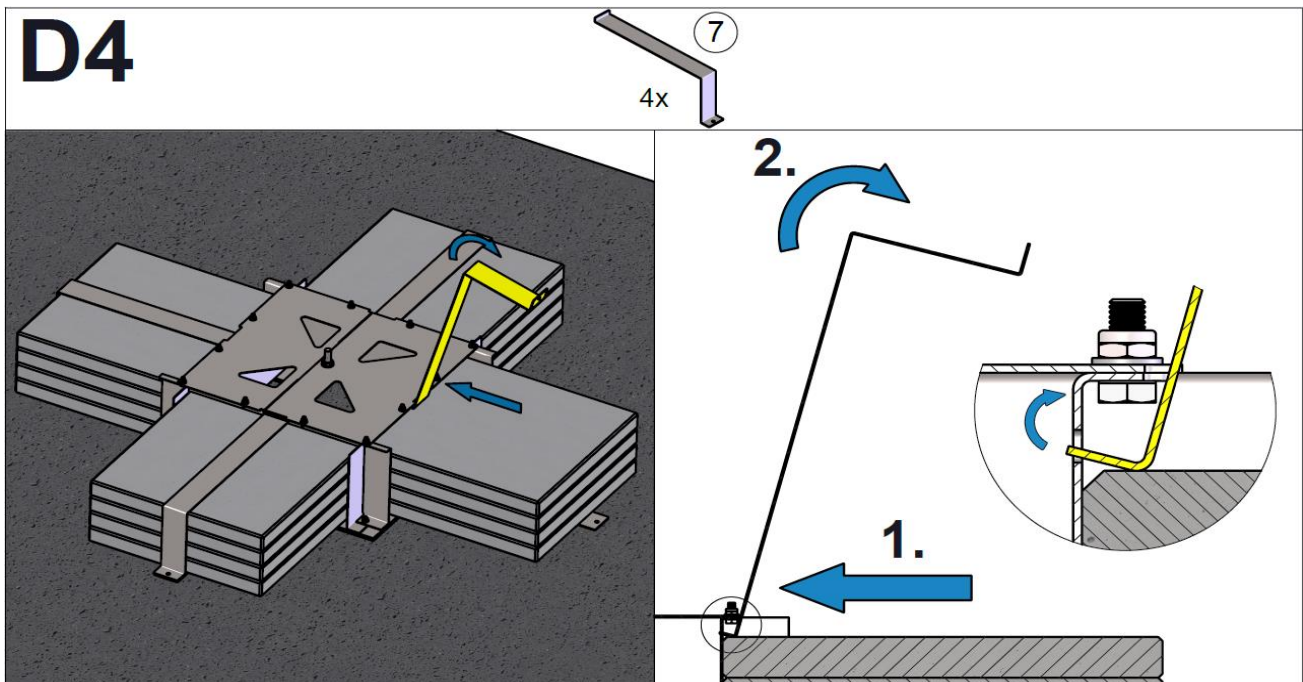
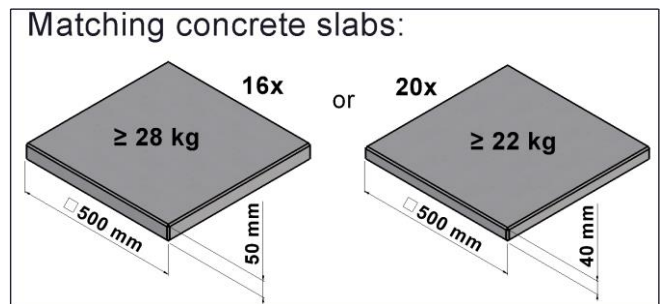
PPE anchor device according to EN 795:2012 Type E

© GRÜN GmbH. No liability for errors and printing errors. We reserve the right to make technical changes.  
© GRÜN GmbH. No liability for errors and printing errors. We reserve the right to make technical changes.



**Attention:** Not included in the scope of

Matching concrete slabs:





# Instructions for use

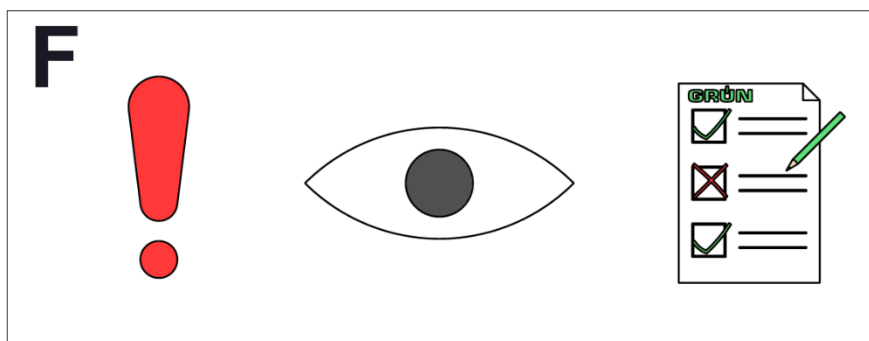
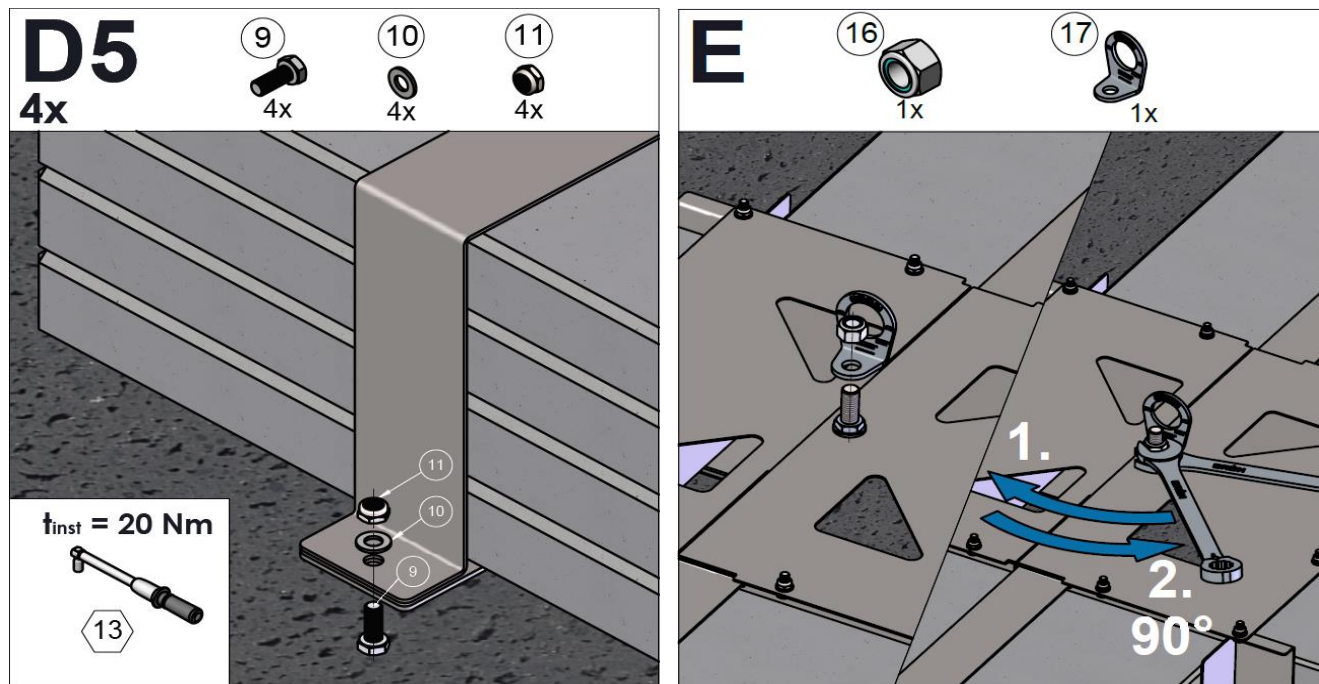
## Anchor device "TopKit"

Article no. 6057 0000

# GRÜN

PPE anchor device according to EN 795:2012 Type E

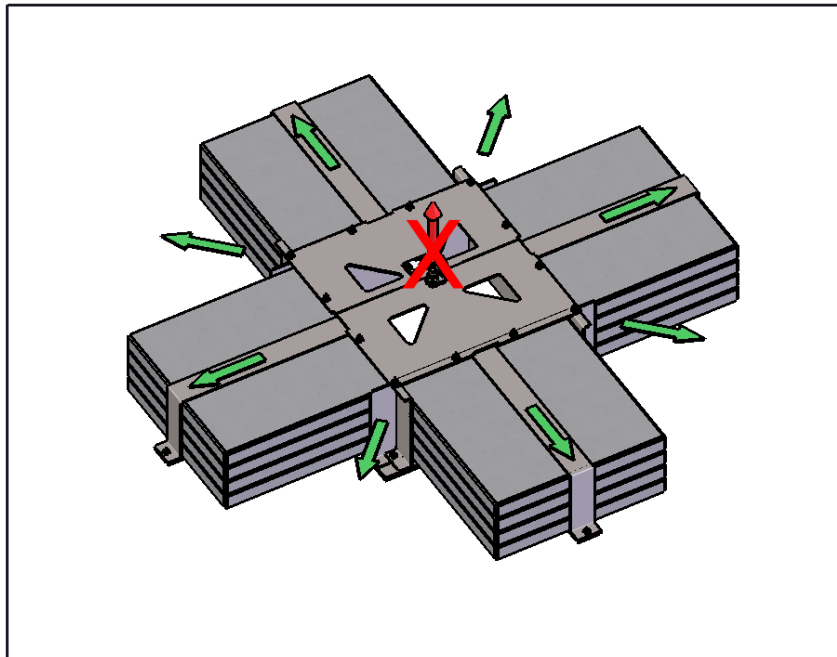
© GRÜN GmbH. No liability for errors and printing errors. We reserve the right to make technical changes!  
© GRÜN GmbH. No liability for errors and printing errors. We reserve the right to make technical changes.



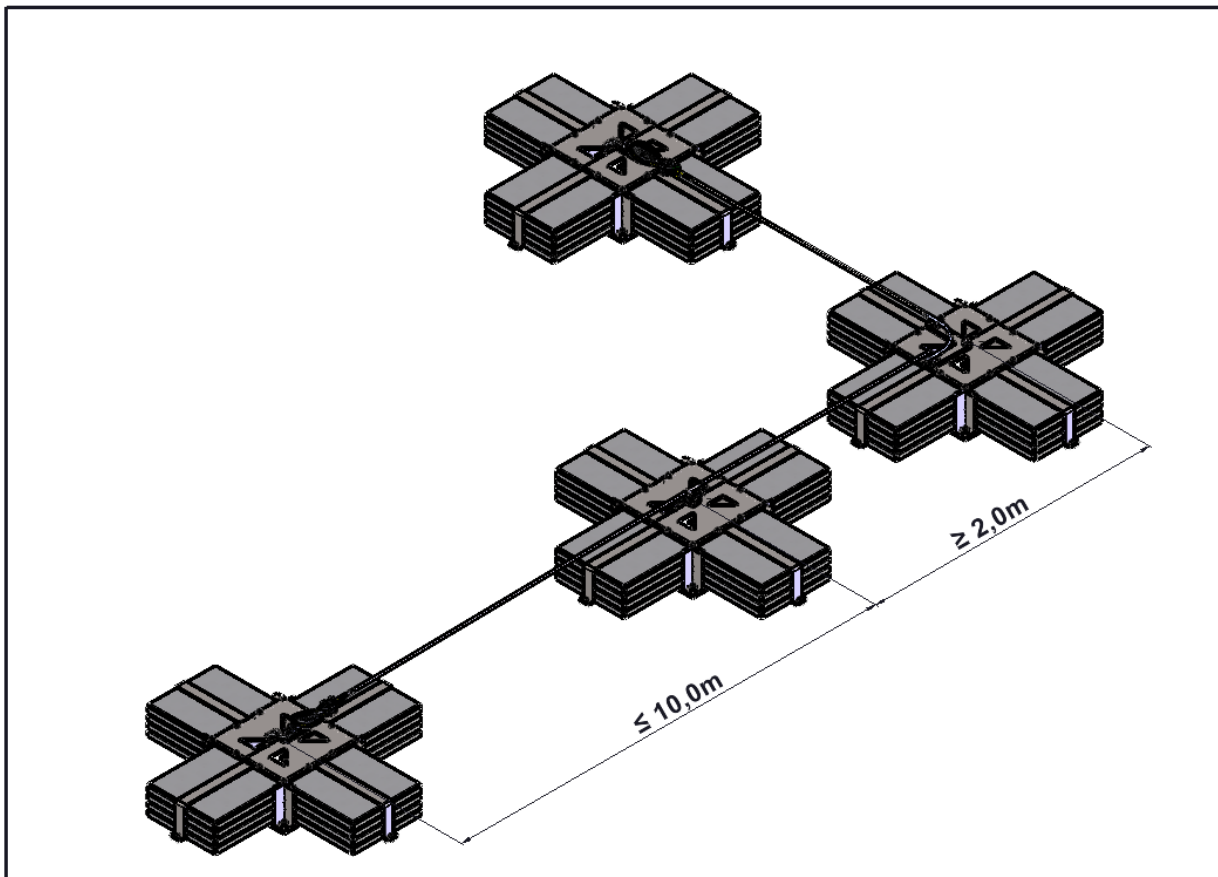
### 5.1.3. Spare parts:

Item no.	Pc	Designation
6057 1640	1	Bottom retaining rail - complete
6057 1604	1	Anti-slip covering 70x400mm / cut to size
6057 1622	1	Anti-slip covering 140x140mm/ cut to size

### 6. Load direction



### 7. Application example rope system Greenline GES-3



# Control card

## Top load system "TopKit



PPE anchor device according to EN 795:2012 type E

<b>Name assembly company</b>	<b>Assembly date</b>	<b>Object / Part of building / Location</b>
	GRÜN "TopKit	
<b>Date of first use</b>	<b>Type designation</b>	<b>Serial number</b>
DIN EN 795:2012 Type E		GRÜN GmbH
<b>Rulebook / Standard</b>		<b>Manufacturer</b>

Regular inspections / Repairs					
Date	Reason for processing (Regular inspection or maintenance)	Damage detected (repairs carried out etc.)	Name and signature of the qualified person / inspector	Use release Yes / No	Next inspection

### Checklist for the inspection of an anchor device (selection)

- Assembly documentation available
- Marking legible
- Proof of the last inspection
- Visual inspection of the anchor devices / anchor points  
(fastener complete, deformation, loose screws, corrosion, manual shake test)

In case of stress due to falling or if there is any doubt, the anchor device must be withdrawn from use immediately and sent to the manufacturer or a competent workshop for inspection and repair. This also applies in the event of damage to the anchor device.

**According to Accident Prevention Regulation for Construction Work (DGUV) regulation 112-198, the assembly documentation must be kept for inspection.**

**The anchor device must be checked at least every 12 months!**

**We recommend attaching a round inspection plate to each anchor device.**

**(Art. 4955 0003- Round ø15mm)**



# Instructions for use

## Top load system "TopKit"



Article no. 6057 0000

PPE anchor device according to EN 795:2012 Type E

### 9. Assembly protocol

#### General information

Premises / Building: \_\_\_\_\_

Location of the device: \_\_\_\_\_

Street, house number

Fall protection type: \_\_\_\_\_

Postcode, city

Customer: \_\_\_\_\_

Contractor: \_\_\_\_\_

Installation company: \_\_\_\_\_

Company name / Last name, first name

Company name / Last name, first name

Company name / Last name, first name

Street, house number

Street, house number

Street, house number

Postcode, city

Postcode, city

Postcode, city

Tel. (business, mobile)

Tel. (business, mobile)

Tel. (business, mobile)

#### Fastening log

Date	Location	Fastening surface	Bef. material Fully assembled		Tightening torque

The undersigned installation company assures proper installation according to the manufacturer's instructions (e.g. inspection of the substrate, etc.).

#### Photo – Documentation

Date	Location	Photos / File name

The client shall accept the contractor's services. The instructions for use and safety instructions, fastening protocols, photo documentation have been handed over to the client (builder) and are to be made available to the user. When using the safety system, the customer (builder) should document the positions of the anchor devices using plans (e.g. sketch of the roof view). **The competent fitter familiar with the safety system confirms that the listed fall protection system has been installed professionally with regard to all details, in accordance with the state of the art and the manufacturer's instructions for use. The safety reliability has been confirmed by the assembly company.**

Comments: \_\_\_\_\_

Place, date

Signature of customer

Signature contractor / installer

(A copy of this certificate is to be handed over to the building owner and the manufacturer for forwarding to the responsible building supervisory authority, if required).

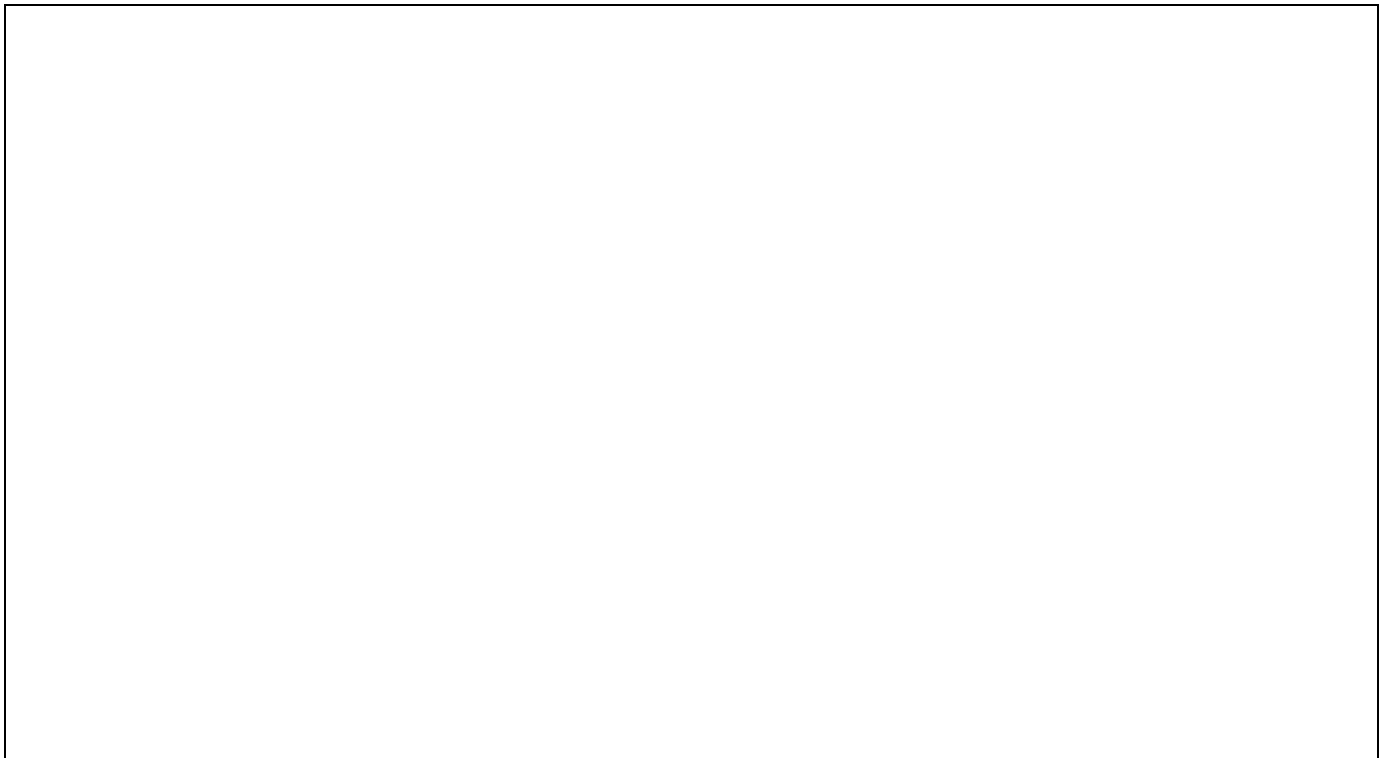
PPE - Anchor device EN 795:2012 Type E  
"TopKit"

In the case of roof access (system access), this notice must be clearly displayed by the builder:

Use only in accordance with the safety instructions.

The location of the user manual, safety instructions, inspection records, etc. is also important:

General plan with the location of the anchor devices:



- Manufacturer and system designation: GRÜN "TopKit"
- Date of first commissioning:
- Maximum number of persons to be secured: 2 Persons (incl. first aider)
- Fall impact absorbers needed?: yes
- The necessary minimum clearance from the edge to the ground is calculated as follows:

Manufacturer's specification of the personal protective equipment used  
incl. cable deflection + body height + 1 m safety distance.







# Sicherheitstechnik für Dach, Fassade und Industrie



# GRÜN

Spezialmaschinenfabrik für Dach, Bau und Straße  
Siegener Straße 81-83  
57234 Wilnsdorf / GERMANY

Tel. +49 (0) 271 - 39 88-0  
Fax +49 (0) 271 - 39 88-158  
E-Mail [info@gruen-gmbh.de](mailto:info@gruen-gmbh.de)  
[www.absturzsureicherungen-gruen.de](http://www.absturzsureicherungen-gruen.de)

