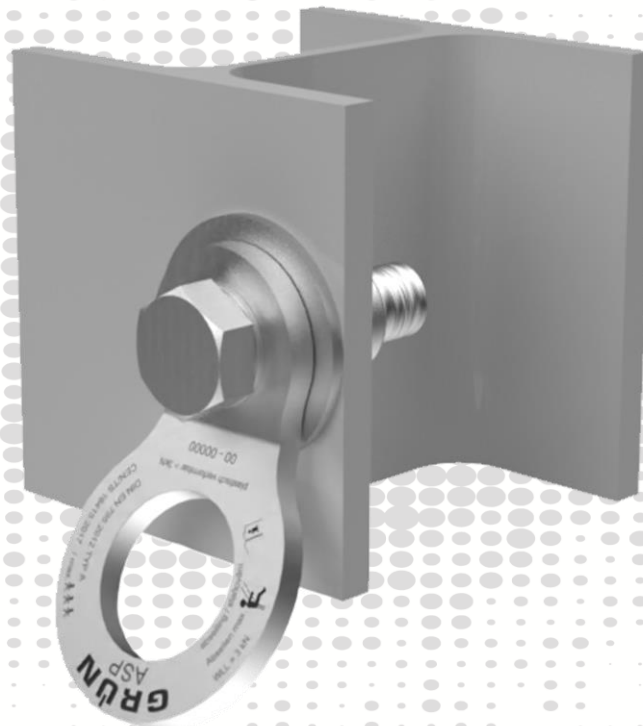
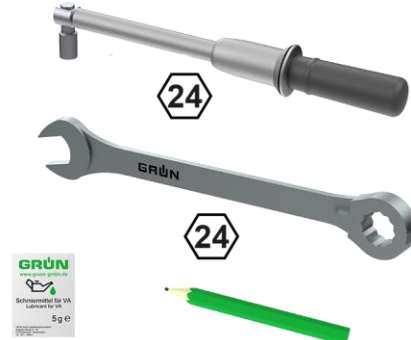




## GRÜN ASP ST



### TOOLS

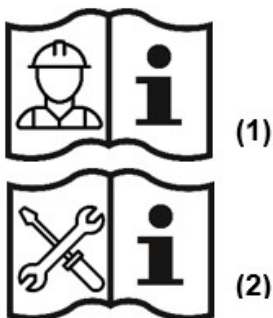


#### ATTENTION:

When using the anchor device, observe the GRÜN safety instructions.  
When mounting the anchor device, observe the assembly instructions.

## Inhaltsverzeichnis

1	Utilisation variants .....	3
2	Technical data .....	4
3	Assembly specifications EN 795 .....	5
3.1	Substrate requirements .....	5
3.2	Structure and assembly of the anchor device .....	5
4	Documentation .....	6
5	Product labelling .....	6
6	Certification body .....	6
7	Notes .....	7



Abbreviations	Meaning
<b>ASP</b>	<b>Abseilpunkt (Abseil point)</b>
<b>BEF</b>	<b>Befestigungsset (Screw set)</b>
<b>ZUB</b>	<b>Zubehör (Accessories)</b>

**ATTENTION:**

To use the anchor device, observe the GRÜN safety instructions **(1)**.  
To attach the anchor device, observe the assembly instructions **(2)**.

**Only assembly instructions from GRÜN apply.**

**It is only permitted to use fastening materials supplied by GRÜN.**

**It is not permitted to replace individual parts.**

## 1 Utilisation variants



## 2 Technical data

### Standards / approvals for the anchor device:

DIN EN	795:2012	type A/C	for 1 person
CEN/TS	16415:2017	type A/C	for 3 persons

### Technical information:

The anchor device can also be used by one person for working with cable-supported access conforming to DIN EN 363:2019.

TRBS	2121-3	Working load:	WLL = 3 kN (~300 kg)
DGUV Information	212-001	Working load:	WLL = 3 kN (~300 kg)

### Anchor device ASP ST

Load direction:



Standard construction height: 50 mm

Material: A2 stainless steel

The subfloor must be part of the static basic construction.  
In case of doubt, this should be checked by a structural engineer.

Assembly specifications according to EN795

EN 795

### 3 Assembly specifications EN 795

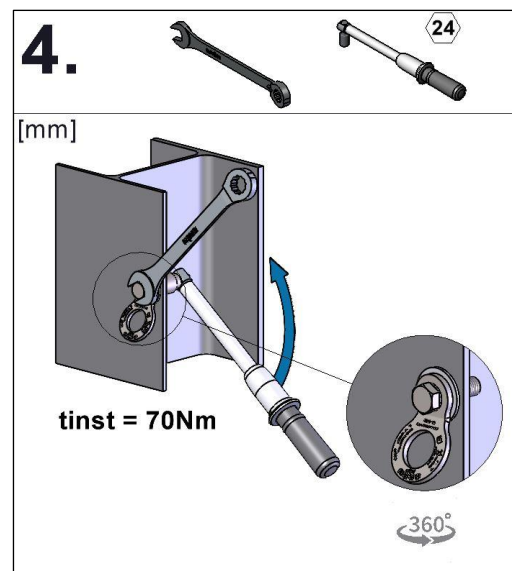
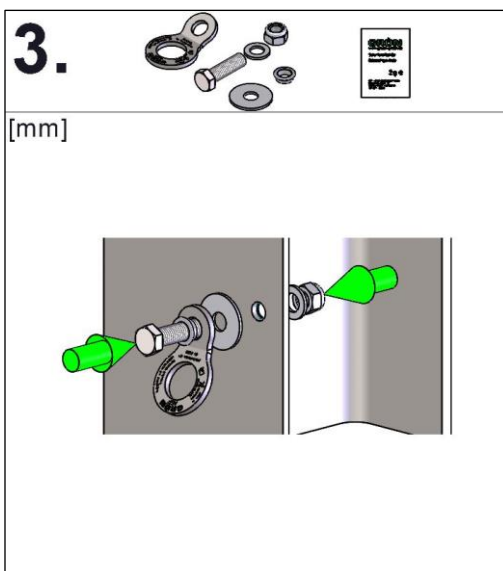
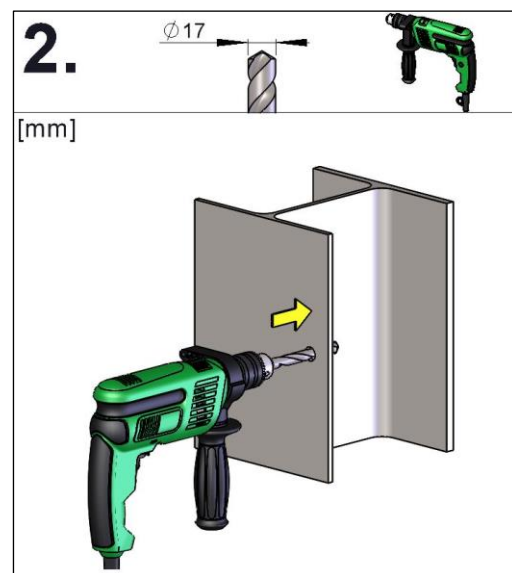
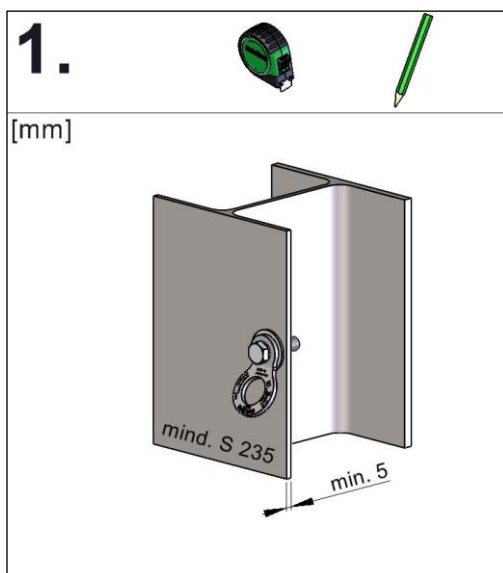
#### 3.1 Substrate requirements

Installation must be carried out on suitable subfloors with adequate strength.

GRÜN recommendation:

Subfloor	Dimensions	
Steel (≥ S235)	Minimum component thickness $t_{min}$ Edge distance $c_{min}$	Techn. construction regulation Techn. construction regulation

#### 3.2 Structure and assembly of the anchor device



## 4 Documentation

The installer is obliged to document the installation, including photos of details that will no longer be visible.

Installation documentation and maintenance documentation form available at:  
[\(https://gruen-gmbh.de/de/absturzschutz/downloads/\)](https://gruen-gmbh.de/de/absturzschutz/downloads/)



Digital documentation with the GRÜN app possible at:  
<https://project.gruen-gmbh.de>



## 5 Product labelling

Type plate



Example figure for identification

- ① Manufacturer
- ② Product designation
- ③ Article number
- ④ Max. users
- ⑤ Standard with year of issue
- ⑥ General building inspectorate approval

Eyelet ASP (abseil point)



Example figure for identification

- ⑦ DEKRA seal
- ⑧ Mark of conformity
- ⑨ Observe assembly instructions & safety instructions
- ⑩ Serial number, year of manufacture
- ⑪ In the event of a fall, plastic deformation of the product occurs

- If the identification of the anchor device is no longer accessible/legible after installation, additional marking must be carried out in the same area.

## 6 Certification body

DEKRA Testing and Certification GmbH  
 Persönliche Schutzausrüstung / Personal Protective Equipment  
 Dinnendahlstr. 9  
 44809 Bochum  
 Germany

No.: 0158





MA\_ASP\_ST\_en\_24\_09

**GRÜN**

Spezialmaschinenfabrik für Dach, Bau und Straße  
Siegener Straße 81-83  
57234 Wilnsdorf / GERMANY

Tel. +49 (0) 271 - 39 88-0  
Fax +49 (0) 271 - 39 88-159  
E-Mail [info@gruen-gmbh.de](mailto:info@gruen-gmbh.de)  
[www.gruen-gmbh.de](http://www.gruen-gmbh.de)



**Urheberrechtshinweis**

© GRÜN GmbH 2024. Alle Rechte vorbehalten. Diese urheberrechtlich geschützten Unterlagen dürfen - auch auszugsweise - nur mit vorheriger Genehmigung der GRÜN GmbH vervielfältigt, abgeändert oder in irgendeiner Form oder irgendeinem Medium weitergegeben oder in einer Datenbank oder einem anderen Datenspeichersystem gespeichert werden. Eine Verwendung ohne vorherige Genehmigung gilt als Verstoß gegen die jeweiligen Copyright-Bestimmungen.