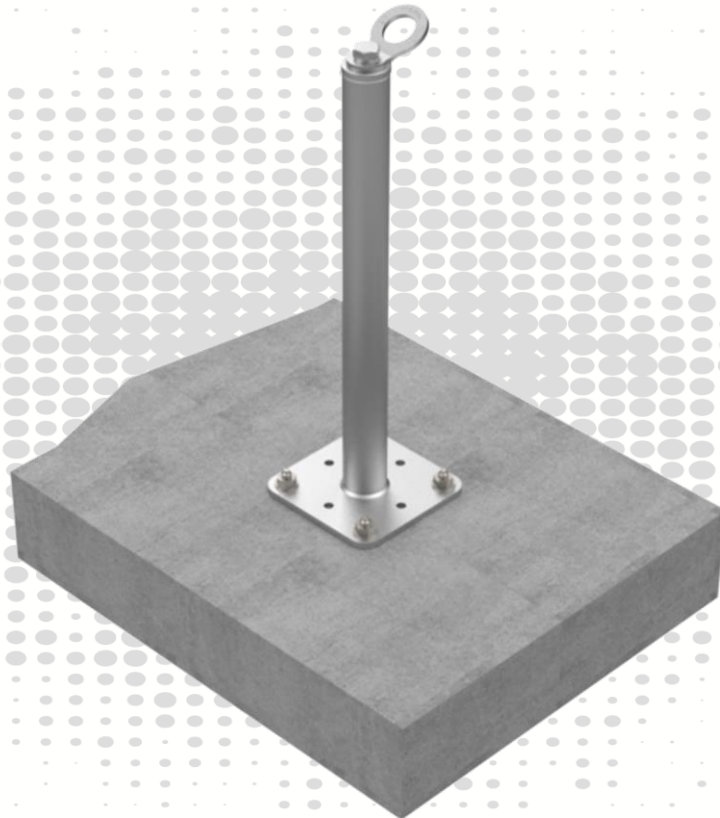




GRÜN ASP-R BD



TOOLS

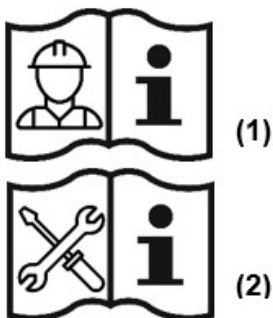


ATTENTION:

When using the anchor device, observe the GRÜN safety instructions.
When mounting the anchor device, observe the assembly instructions.

Inhaltsverzeichnis

1 Utilisation variants3
 2 Technical data4
 3 Assembly specifications EN 7955
 3.1 Substrate requirements5
 3.2 Structure and assembly of the anchor device5
 4 Documentation6
 5 Product labelling6
 6 Certification body6
 7 Notes7



Abbreviations	Meaning
ASP	Abseilpunkt (Abseil point)
BEF	Befestigungsset (Screw set)
ZUB	Zubehör (Accessories)

ATTENTION:

To use the anchor device, observe the GRÜN safety instructions **(1)**.
 To attach the anchor device, observe the assembly instructions **(2)**.

Only assembly instructions from GRÜN apply.

It is only permitted to use fastening materials supplied by GRÜN.

It is not permitted to replace individual parts.

1 Utilisation variants



2 Technical data

Standards / approvals for the anchor device:

DIN EN	795:2012	Type A/C	for 1 person
CEN/TS	16415:2017	Type A/C	3 persons

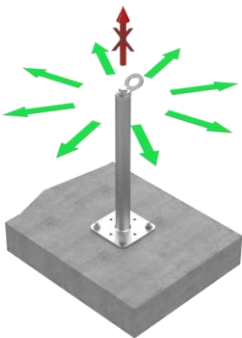
Technical information:

The anchor device can also be used by one person for working with cable-supported access conforming to DIN EN 363:2019.

TRBS	2121-3	Working load:	WLL = 3 kN (~300 kg)
DGUV Information	212-001	Working load:	WLL = 3 kN (~300 kg)

Anchor device ASP-R BD

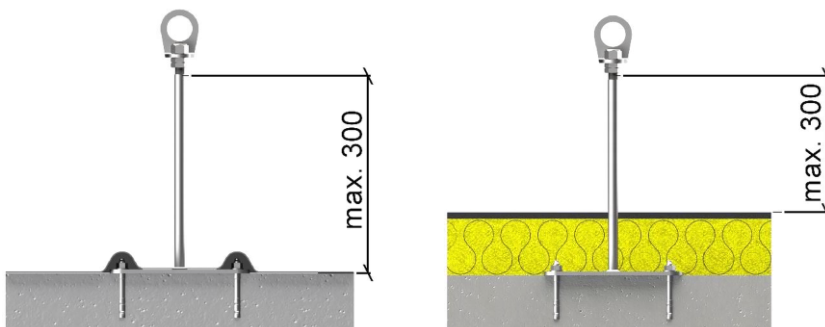
Load direction:



Construction height:	300mm bis 700mm
Material:	A2 stainless steel
Footplate dimensions:	160mm x 160mm
Hole pattern:	120mm x 120mm - ø14mm

Max. support projection

[mm]



The subfloor must be part of the static basic construction.
In case of doubt, this should be checked by a structural engineer.

Assembly specifications according to EN795

EN 795

3 Assembly specifications EN 795

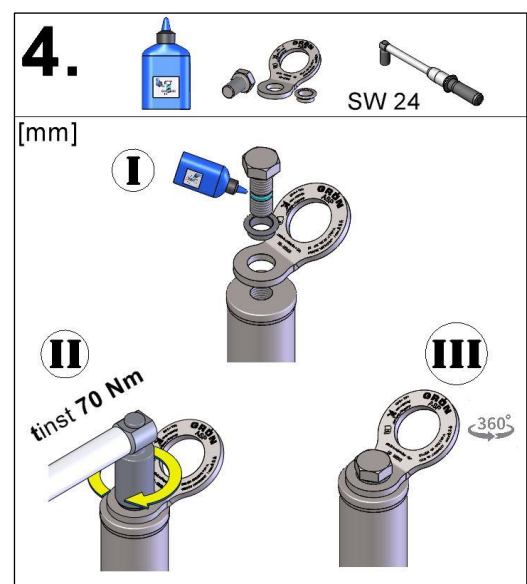
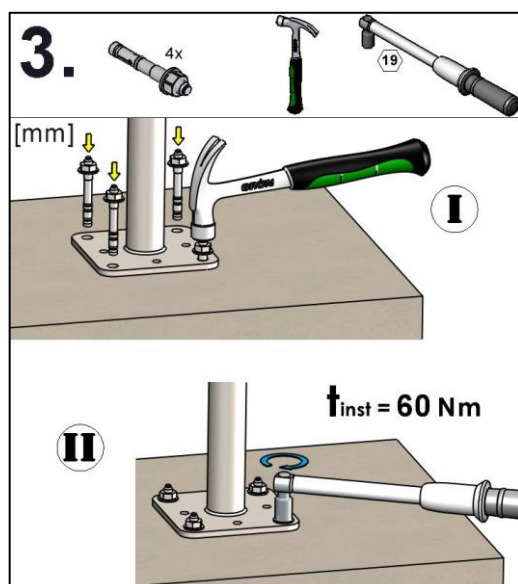
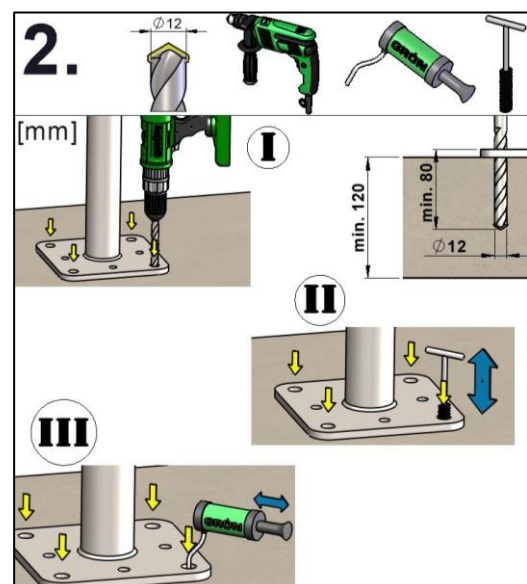
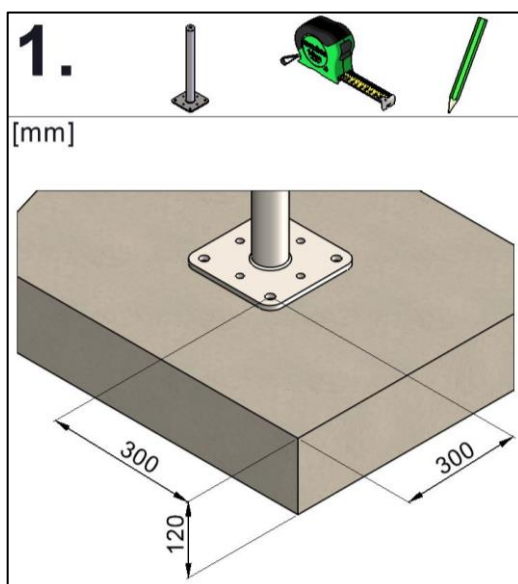
3.1 Substrate requirements

Installation must be carried out on suitable subfloors with adequate strength.

GRÜN recommendation:

Subfloor	Dimensions	
Concrete, non-cracked and cracked (min. C20/25)	Minimum component thickness t_{min} Edge distance c_{min}	120 mm 300 mm

3.2 Structure and assembly of the anchor device



4 Documentation

The installer is obliged to document the installation, including photos of details that will no longer be visible.

Installation documentation and maintenance documentation form available at:
(<https://gruen-gmbh.de/de/absturzschutz/downloads/>)



Digital documentation with the GRÜN app possible at:
(<https://project.gruen-gmbh.de>)



5 Product labelling

Type plate



Example figure for identification

- ① Manufacturer
- ② Product designation
- ③ Article number
- ④ Max. users
- ⑤ Standard with year of issue
- ⑥ General building inspectorate approval

Eyelet ASP (abseil point)



Example figure for identification

- ⑦ DEKRA seal
- ⑧ Mark of conformity
- ⑨ Observe assembly instructions & safety instructions
- ⑩ Serial number, year of manufacture
- ⑪ In the event of a fall, plastic deformation of the product occurs

- If the identification of the anchor device is no longer accessible/legible after installation, additional marking must be carried out in the same area.

6 Certification body

DEKRA Testing and Certification GmbH
Persönliche Schutzausrüstung / Personal Protective Equipment
Dinnendahlstr. 9
44809 Bochum
Germany

No.: 0158



MA_ASP-R_BD_en_24_09

GRÜN

Spezialmaschinenfabrik für Dach, Bau und Straße
Siegener Straße 81-83
57234 Wilnsdorf / GERMANY

Tel. +49 (0) 271 - 39 88-0
Fax +49 (0) 271 - 39 88-159
E-Mail info@gruen-gmbh.de
www.gruen-gmbh.de



Urheberrechtshinweis

© GRÜN GmbH 2024. Alle Rechte vorbehalten. Diese urheberrechtlich geschützten Unterlagen dürfen - auch auszugsweise - nur mit vorheriger Genehmigung der GRÜN GmbH vervielfältigt, abgeändert oder in irgendeiner Form oder irgendeinem Medium weitergegeben oder in einer Datenbank oder einem anderen Datenspeichersystem gespeichert werden. Eine Verwendung ohne vorherige Genehmigung gilt als Verstoß gegen die jeweiligen Copyright-Bestimmungen.