

Barrial Fix



- Permanent safety rail
- The main components of the system are made of
- weather-resistant, low-maintenance aluminium
- Straight, folding, angled and rounded supports
- Various support feet for a wide range of fixing types
- Powder coating in RAL colour available on request

Barrial®: The Barrial® permanent guardrail

offers a wealth of fixing options. There is a wide range of base and fitting solutions to choose from, depending on the problem and features of the property. In particular for new buildings, but also in extensive flat roof renovations, this is not just an elegant and aesthetically pleasing solution, but a functional one above all else. Whether as a guardrail on machines or systems, as fall protection on flat roofs with sealing structure or for retrofitting on properties with no mechanical fixing options – Barrial® provides solutions for all eventualities that meet collective safety requirements. The main components of the system are made of weather-resistant, low-maintenance aluminium. The guardrails can be finished with powder coating in colours on the RAL scale to meet customer requirements. **Tested and certified:** Barrial® guardrails have been certified and checked in static and dynamic tests that meet the European standards DIN EN ISO 14122-3 and DIN EN 13374 – Protection Class A. The tests were carried out by the independent accredited testing institutes CEBTP (Lyon) and DEKRA EXAM (Bochum). The test reports are available for consultation on request. **Fitting options:** Barrial® inner side of parapet facade parapet top roof surface **Support types:**



Designation:

Base A

- For fixing the guardrail to the inside of the parapet or the facade
- Also available with spacer bracket for insulated parapets

Material:

- cast aluminium

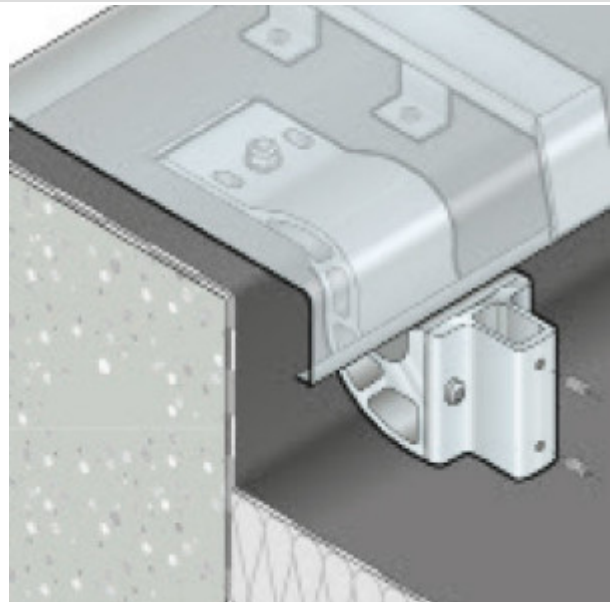


Designation: Base Z

- For fixing the guardrail to the upper side of the parapet
- Also available with spacer bracket for insulated parapets

Material:

- cast aluminium

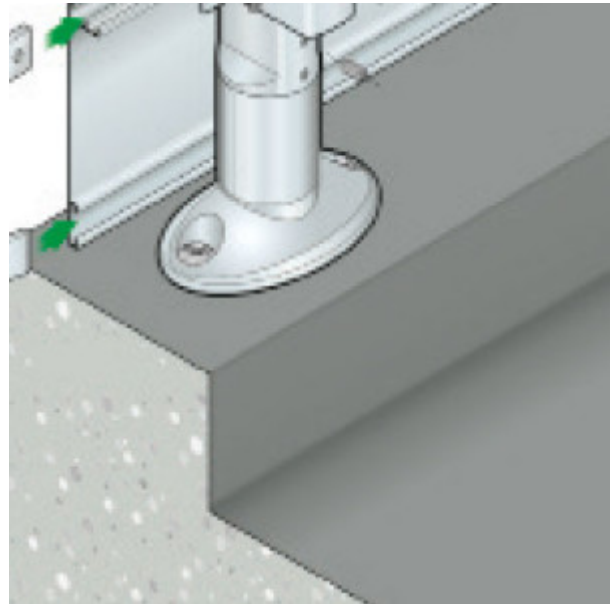


Designation: Base M

- For fixing the guardrail to the upper side of the parapet, especially if the parapet is narrow

Material:

- cast aluminium

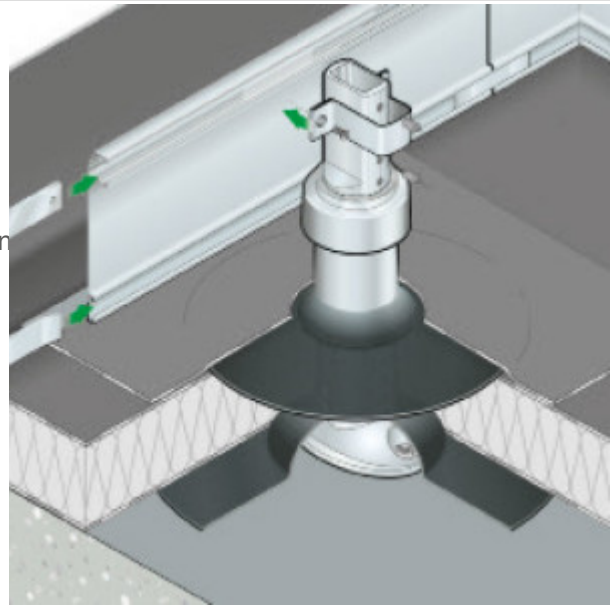


Designation: Base D

- For fixing the guardrail to the roof surface
- Sealing material for bituminous seals available as an option

Material:

- cast aluminium

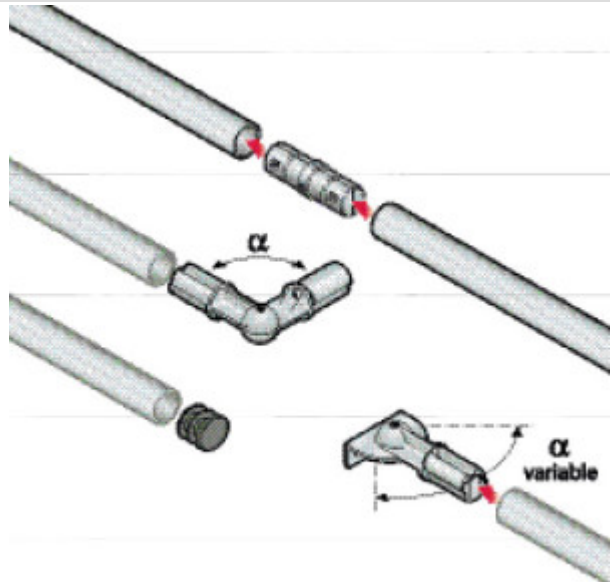


Designation: Guardrail components

- Butt connectors for fitting hand and knee rails
- Variable angle corner connectors
- End caps
- Wall brackets

Material:

- cast aluminium



Designation: Skirting rail

- Required when there is no parapet or parapet < 150 mm
- Required for escape route protection

Material:

- cast aluminium

